



**LABCONCO CORPORATION**

8811 Prospect Avenue  
Kansas City, MO 64132  
(800) 821-5525, (816) 333-8811  
(816) 363-0130 fax  
labconco@labconco.com

# User's Manual

## XPert® Filtered Balance Systems & Stations RXPert™ Filtered Balance Systems

### Models

#### XPert Filtered Balance Systems

2'	3950200, 3950201, 3950202, 3950220, 3950221, 3950222
3'	3950300, 3950301, 3950302, 3950320, 3950321, 3950322, 3950310
4'	3950400, 3950401, 3950402, 3950420, 3950421, 3950422, 3950410
4' x 32" IH	3950460, 3950461, 3950462, 3950470, 3950471, 3950472, 3950465
4' x 35.5" D	3950430, 3950431, 3950432, 3950440, 3950441, 3950442
5'	3950500, 3950501, 3950502, 3950520, 3950521, 3950522
5' x 35.5" D	3950530, 3950531, 3950532, 3950540, 3950541, 3950542
6'	3950600, 3950601, 3950602, 3950620, 3950621, 3950622
6' x 35.5" D	3950630, 3950631, 3950632, 3950640, 3950641, 3950642

#### XPert Filtered Balance Stations

2'	3940200, 3940201, 3940202, 3940220, 3940221, 3940222
3'	3940300, 3940301, 3940302, 3940320, 3940321, 3940322
4'	3940400, 3940401, 3940402, 3940420, 3940421, 3940422
4' x 32" IH	3940460, 3940461, 3940462, 3940470, 3940471, 3940472
4' x 35.3" D	3940430, 3940431, 3940432, 3940440, 3940441, 3940442
5'	3946500, 3946501, 3946502, 3946520, 3946521, 3946522
5' x 35.3" D	3946530, 3946531, 3946532, 3946540, 3946541, 3946542
6'	3946600, 3946601, 3946602, 3946620, 3946621, 3946622
6' x 35.3" D	3946630, 3946631, 3946632, 3946640, 3946641, 3946642

#### RXPert Filtered Balance Systems

2'	3971200, 3971201, 3971202, 3971220, 3971280, 3971281, 3971282, 3971283
3'	3971300, 3971301, 3971302, 3971320, 3971380, 3971381, 3971382, 3971383
4'	3971400, 3971401, 3971402, 3971420, 3971480, 3971481, 3971482, 3971483
4' x 32" IH	3971475, 3971476, 3971477, 3971478, 3971485, 3971486, 3971487, 3971488
4' x 35.5" D	3971490, 3971491, 3971492, 3971493, 3971495, 3971496, 3971497, 3971498
5' x 32" IH	3971575, 3971576, 3971577, 3971578, 3971585, 3971586, 3971587, 3971588
5' x 35.5" D	3971590, 3971591, 3971592, 3971593, 3971595, 3971596, 3971597, 3971598
6' x 32" IH	3971675, 3971676, 3971677, 3971678, 3971685, 3971686, 3971687, 3971688
6' x 35.5" D	3971690, 3971691, 3971692, 3971693, 3971695, 3971696, 3971697, 3971698

To receive important product updates,  
complete your product registration card  
online at [register.labconco.com](http://register.labconco.com)

Please read the User's Manual before operating the equipment.

Copyright © 2019 Labconco Corporation. The information contained in this manual and the accompanying products are copyrighted and all rights reserved by Labconco Corporation. Labconco Corporation reserves the right to make periodic design changes without obligation to notify any person or entity of such change.

## **Warranty**

Labconco Corporation provides a warranty to the original buyer for the repair or replacement of parts and reasonable labor as a result of normal and proper use of the equipment with compatible chemicals. Broken glassware and maintenance items, such as filters, gaskets, light bulbs, finishes and lubrication are not warranted. Excluded from warranty are products with improper installation, erratic electrical or utility supply, unauthorized repair and products used with incompatible chemicals.

The warranty for XPert® Filtered Balance Systems, XPert® Filtered Balance Stations or RXPert™ Filtered Balance Systems will expire one year from date of installation or two years from date of shipment from Labconco, whichever is sooner. Warranty is non-transferable and only applies to the owner (organization) of record.

Buyer is exclusively responsible for the set-up, installation, verification, decontamination or calibration of equipment. This limited warranty covers parts and labor, but not transportation and insurance charges. If the failure is determined to be covered under this warranty, the dealer or Labconco Corporation will authorize repair or replacement of all defective parts to restore the unit to operation. Repairs may be completed by 3<sup>rd</sup> party service agents approved by Labconco Corporation. Labconco Corporation reserves the rights to limit this warranty based on a service agent's travel, working hours, the site's entry restrictions and unobstructed access to serviceable components of the product.

Under no circumstances shall Labconco Corporation be liable for indirect, consequential, or special damages of any kind. This warranty is exclusive and in lieu of all other warranties whether oral, or implied.

## **Returned or Damaged Goods**

Do not return goods without the prior authorization from Labconco. Unauthorized returns will not be accepted. If your shipment was damaged in transit, you must file a claim directly with the freight carrier. Labconco Corporation and its dealers are not responsible for shipping damages.

The United States Interstate Commerce Commission rules require that claims be filed with the delivery carrier within fifteen (15) days of delivery.

## **Limitation of Liability**

The disposal and/or emission of substances used in connection with this equipment may be governed by various federal, state, or local regulations. All users of this equipment are required to become familiar with any regulations that apply in the user's area concerning the dumping of waste materials in or upon water, land, or air and to comply with such regulations. Labconco Corporation is held harmless with respect to user's compliance with such regulations.

## **Contacting Labconco Corporation**

If you have questions that are not addressed in this manual, or if you need technical assistance, contact Labconco's Customer Service Department or Labconco's Product Service Department at 1-800-821-5525 or 1-816-333-8811, between the hours of 7:30 a.m. and 5:30 p.m., Central Standard Time.

---

# TABLE OF CONTENTS

<b>CHAPTER 1: INTRODUCTION</b>	1
Typographical Conventions	2
<b>CHAPTER 2: PREREQUISITES</b>	3
Support, Vibration & Movement Requirements	3
Temperature Variation Requirements	4
Humidity and Static Electricity Requirements	4
Background on Electrostatics or Static Electricity	5
Location and Air Current Requirements	5
Exhaust and Blower Requirements	6
Electrical Requirements	7
Space Requirements	7
<b>CHAPTER 3: GETTING STARTED</b>	8
Unpacking the Enclosure	9
Installing the Filtered Enclosure on a Supporting Structure & Work Surface	9
Work Surface Specifications	9
Work Surface and HEPA Filtered Enclosure Installation	10
Connecting to the Exhaust System	12
Installation of HEPA Filters & Accessory Odor Control Carbon Filters	15
Connecting the Electrical Supply Source to the Filtered Enclosure	16
Set the Face Velocity with the Speed Control Adjustment	18
Validating the Vented Enclosure	18
Sealing the Filtered Enclosure to the Work Surface	19
<b>CHAPTER 4: HIGH PERFORMANCE FEATURES AND SAFETY PRECAUTIONS</b>	20
High Performance Features	20
Safety Precautions	26
<b>CHAPTER 5: USING YOUR FILTERED ENCLOSURE</b>	29
Routine Daily Work Procedures	29
Suitable Applications	30
Appropriate Chemicals for Odor Control Carbon Filters	32
Hazardous Misapplications for Odor Control Carbon Filters with Volatile Chemicals	32
Chemical Carcinogen Use with Odor Control Carbon Filters	33
Prohibited Acid Use	33

<b>CHAPTER 6: MAINTAINING YOUR FILTERED ENCLOSURE</b>	34
Routine Maintenance Schedule	35
Decontamination	36
Determination of When to Replace HEPA Filters	36
How to Install New HEPA Filter with Bag-In/Bag-Out Procedure	36
HEPA Filter Leak Test	38
Setting the Inflow Face Velocity with Speed Control Adjustment	40
Calibrate and Operate the Airflow Monitors	40
Guardian Digital 1000 Airflow Monitor	43
Programming the Guardian 1000 Digital Alarm	43
Determination of When & How to Replace Odor Control Carbon Filters	47
Calculating Odor Control Carbon Filter Life	48
Initial Certification	50
Re-Certification	50
Fluorescent Light Replacement	50
LED Light Replacement	51
Motorized Impeller Replacement	51
Speed Control Replacement	52
Trace Odor Carbon Filter Installation	53
<b>CHAPTER 7: ACCESSORIZING YOUR FILTERED ENCLOSURE</b>	54
<b>CHAPTER 8: TROUBLESHOOTING</b>	62
<b>APPENDIX A: REPLACEMENT PARTS</b>	65
<b>APPENDIX B: DIMENSIONS</b>	70
<b>APPENDIX C: SPECIFICATIONS</b>	80
<b>APPENDIX D: QUICK CHART</b>	81
<b>APPENDIX E: BALANCE STABILITY</b>	82
<b>APPENDIX F: DOP TEST KIT FOR DUAL HEPA FILTERS</b>	83

---

# Chapter 1:

## Introduction

Congratulations on your purchase of a Labconco XPert® Filtered Balance System, XPert® Filtered Balance Station, or RXPert™ Filtered Balance System. Your enclosure provides personnel protection through superior containment while conserving energy at OSHA approved velocities as low as 60 feet per minute. It is the result of Labconco's more than 50 years of experience in manufacturing fume hoods and more than 30 years of experience in manufacturing filtered enclosures.

These enclosures will effectively contain toxic or noxious particulates when properly installed and operated. Each enclosure uses a single HEPA filter, which is rated at least 99.99% efficient for 0.3-micron particles. Some RXPert enclosures use a second redundant HEPA filter. Additionally, an accessory Odor Control carbon filter may be added to adsorb nuisance odors from organic vapors, formaldehyde or ammonia and amines. The XPert filtered enclosures offer many unique features to enhance safety, performance, and energy savings. To take full advantage of them, please acquaint yourself with this manual and keep it handy for future reference. If you are unfamiliar with how high performance HEPA filtered enclosures operate, please review Chapter 4: High Performance Features and Safety Precautions before you begin working in the enclosure. Even if you are an experienced user, please review Chapter 5: Using Your HEPA Filtered Enclosure, which describes the XPert features so that you can use the filtered enclosure efficiently. For weighing hazardous and nuisance powders, Labconco recommends the purchase of the XPert Filtered Balance System or XPert Filtered Balance Station. Both XPert filtered enclosures include a true bag-in/bag-out HEPA filter to properly protect personnel during filter changing operations. With recent changes for non-sterile compounding to meet USP <800> requirements, consult with Labconco product specialists concerning RXPerts with double HEPA filtration or RXPerts with single HEPA filtration ducted to the outside. See chart that follows next and contact Labconco for additional ordering information.

No.	Application	Product	Filters	Bag-in/Bag-out HEPA	UV Light
1.	Weighing Hazardous & Nuisance Powders & Particulates	XPert Filtered Balance System, XPert Filtered Balance Station	HEPA	Required, included with XPert	No
2.	Weighing Hazardous and Nuisance Powders, Particulates & Volatile Chemicals	XPert Filtered Balance System, XPert Filtered Balance Station	HEPA and Carbon*	Required, included with XPert	No
3.	Non-sterile compounding	RXPert	Single HEPA ducted, Double HEPA, or Double HEPA ducted	Required, included with RXPert	No

\*It is recommended that a Labconco product specialist review the chemical application to determine if it is suitable.



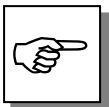
**If the unit is not operated as specified in this manual it may impair the protection provided by the unit.**

**Si l'unité n'est pas utilisée comme spécifié dans ce manuel il peut diminuer la protection fournie par l'unité.**

## Typographical Conventions

Recognizing the following typographical conventions will help you understand and use this manual:

- Steps required to perform a task are presented in a numbered format.
- Comments located in the margins provide suggestions, reminders, and references.
- Critical information is presented in boldface type in paragraphs that are preceded by the exclamation icon. Failure to comply with the information following an exclamation icon may result in injury to the user or permanent damage to the enclosure.
- Critical information is presented in boldface type in paragraphs that are preceded by the wrench icon. A trained certifier or contractor should only perform these operations. Failure to comply with the information following a wrench icon may result in injury to the user or permanent damage to your hood.
- Important information is presented in capitalized type in paragraphs that are preceded by the pointer icon. It is imperative that the information contained in these paragraphs be thoroughly read and understood by the user.



- CAUTION – See Manual. When this symbol is on the unit it indicates a caution that is detailed in this manual.
- ATTENTION - Voir manuel. Lorsque ce symbole est sur l'unité, il indique une mise en garde qui est indiqué dans ce manuel.

---

# Chapter 2:

## Prerequisites

Before you install the filtered enclosure, you need to prepare your site for installation. You must be certain that the area is level and of solid construction. In addition, a dedicated source of electrical power should be located near the installation site to power the filtered enclosure, balance and other apparatus. Additionally, the enclosure should be strategically placed in the lab to provide efficient workflow.

Carefully read this chapter to learn the requirements for your installation site:

- The support, vibration and movement requirements.
- The temperature variation requirements.
- The humidity and static electricity requirements.
- The location and air current requirements.
- The exhaust and blower requirements.
- The electrical power requirements.
- The space requirements.

Refer to Appendix B: Dimensions for complete enclosure dimensions.

Refer to Appendix C: Specifications for complete filtered enclosure electrical and environmental conditions, specifications and requirements.

### Support, Vibration and Movement Requirements

At a minimum, the supporting structure usually consists of a base cabinet and work surface.

The ability for analytical balances to accommodate vibration varies with type and brand. More advanced balances have improved tolerance, however in the preparation of a balance enclosure site, please consider the following:

- Avoid tubular stands or mobile benches that have the potential of moving when touched.
- Work surfaces should be of a thick rigid material that remains stable when buttons are pressed.

- A bench that is rigidly mounted to the floor or fixed to the wall, but not both, may be appropriate.
- The corners of a building typically have less vibration than the center.
- The bench with the balance enclosure should not contain any vibration-producing equipment, such as shakers or pumps.
- Marble, granite or epoxy balance tables are generally recommended by the manufacturers of analytical and microbalances. (See the installation instructions in Chapter 3).
- Marble slabs with dampening pads placed within the enclosure are also an effective low cost means of controlling vibration.
- The balance should be calibrated and verified at least annually; for best results, the balance should be calibrated inside the enclosure while running at the desired face velocity.

### **Temperature Variation Requirements**

The extent the balance readings are influenced by temperature variations is a function of the balance design. Most manufacturers would suggest that a temperature drift of 1-2°C is generally tolerable. Only validation through your Operational Qualification protocol can define what is acceptable. To minimize the potential for temperature variations:

- Never install balances near heating sources such as radiators and hot plates.
- Do not place the balance and enclosure on a bench that would receive direct sunlight.

### **Humidity and Static Electricity Requirements**

Electrostatics can be troublesome in a balance enclosure. It is important to understand and, to the extent possible, control static charges. An electrostatic charged vessel, sample or enclosure can apply forces and lead to errors in weighing. The repulsion or attraction can be detected with micro, semi micro and analytical balances. Static charges can also lead to particulates being attracted to surfaces within the balance enclosure. Containment of harmful powders, prevention of cross-contamination and clean-up is enhanced when static attraction of powders is minimized. The construction of the XPert Filtered Balance System and XPert Filtered Balance Station avoid the use of plastics, which are highly insulative. The advantages to the glass and epoxy-coated metal construction are twofold:

1. The enclosure does not contribute high electrostatic forces affecting the precision of the balance.
2. The attraction and ultimate accumulation of powders, (hazardous or nuisance), are minimized on the inside of the enclosure.



To correct or ensure against electrostatic issues, the following additional measures may be prescribed to improve weighing operations.

- Maintain a humidity level between 45 and 60%. The ability to sustain this humidity range can be challenging depending upon the regional climate and HVAC system.
- Ionizers in various forms (guns, bars and blowers) are effective ways to flood an area with ions and essentially “neutralize” electrostatic electricity.

## Background on Electrostatics or Static Electricity

Electrostatic charges on a surface such as the wall of a balance enclosure are not created by moving air. Gases do not cause the charge. Impurities within the air impinging upon surfaces dictate the polarity and magnitude of the charge. The process, triboelectrification, occurs when the dust particles contact the surface, creating friction and electrons move across the interface.

The ability of a material to become polarized is a property known as permittivity. On highly insulative materials like acrylic, ions or charged molecules are strongly bound to the surface by polarization forces. The higher the force, the higher is the permittivity value of the material. It is suggested by balance manufacturers that the use of high permittivity materials, such as plastic be avoided.

Since static electricity is a surface phenomenon, materials can also be classified by their surface resistivity measured in ohms per square. The table below lists the surface resistivity of various classes of material.

**Surface Resistivity Table**

Material	Surface Resistivity	Example
Conductive	$0 \rightarrow 10^5 \Omega$ per square	Skin, Metals
Static dissipative	$10^5 \rightarrow 10^9 \Omega$ per square	Glass
Antistatic	$10^9 \rightarrow 10^{12} \Omega$ per square	Polyethylene bag
Insulative	$10^{12} \Omega$ per square $\rightarrow$	Acrylic, Packing foam, Styrofoam

## Location and Air Current Requirements

The XPert Filtered Enclosures have been designed to contain hazards by negating typical cross drafts and turbulence within the opening. Air movement does not affect most modern balances with draft shields. However, as a precautionary safety measure and a higher level of quality management, it is recommended that the enclosure be placed in an area to avoid:

- High traffic areas where walking might cause an air disturbance or be a nuisance to balance readings.
- Overhead or wall HVAC diffusers, fans, radiators or other lab equipment producing air currents.
- Next to doorways or windows that may be opened.



**Do not position the unit so that it is difficult to operate the main disconnect device.**

**Ne placez pas l'appareil de sorte qu'il est difficile de faire fonctionner le dispositif principal de déconnexion.**

## Exhaust and Blower Requirements

The XPert Filtered Balance System uses an integral motorized impeller to draw room air past the operator and through the enclosure. This contaminated air is then pushed through the HEPA filter. The HEPA-filtered exhaust air is then forced out the top of the enclosure. An optional carbon filter may be installed on the downstream side of the HEPA filter to protect against nuisance odors.

The HEPA-filtered exhaust air can be recirculated into the laboratory or exhausted outside with the addition of the Canopy Exhaust Connection and remote blower listed in Chapter 7. Electrical connections are covered in Chapter 2 for this configuration.

The XPert Filtered Balance Station does not include the motorized impeller and must be exhausted to the outside by a remote blower. The XPert Filtered Balance Station remote blower may be switched from the blower switch on the enclosure. See Electrical Requirements in Chapter 2, and Electrical Supply Connections in Chapter 3. Only one 6" exhaust connection is required for the 2', 3', or 4' XPert Filtered Balance Stations to exhaust to the outside. Only one 10" exhaust connection is required for the 5' and 6' XPert Filtered Balance Stations.

Data for the exhaust volume, noise pressure and enclosure static pressure loss are listed for each filtered enclosure model at face velocities of 60, 80, and 100 fpm. Balances typically work best between 60-90 fpm with the balance shield closed tightly.

Enclosure Width and Sash Opening	Model Description	Face Velocity (fpm)	Exhaust Volume (CFM)	XPert Station Initial Static Pressure Loss with HEPA filter (in w.g.)	XPert System Noise Pressure db (A)	Xpert System Max. Equivalent Resistance (Ft)	Xpert System Max. External Static Pressure
2' 9.4" Sash	2' Xpert Filtered Balance System	60	85	.35" - .41"	48-53	400	.20"
	2' Xpert Filtered Balance Station	80	115	.48" - .57"	50-56	200	.18"
	(6" Duct)	100	145	.62" - .72"	53-58	80	.13"
3' 9.4" Sash	3' Xpert Filtered Balance System	60	130	.37" - .43"	48-53	130	.15"
	3' Xpert Filtered Balance Station	80	175	.53" - .62"	53-57	50	.11"
	(6" Duct)	100	220	.68" - .79"	58-61	25	.08"
4' 9.4" Sash	4' XPert Filtered Balance System	60	175	.40" - .46"	49-54	100	.20"
	4' XPert Filtered Balance Station	80	235	.57" - .66"	58-61	50	.18"
	(6" Duct)	100	295	.76" - .87"	62-66	25	.13"
4' 12" Sash	4' XPert Filtered Balance System	60	230	.56" - .65"	58-61	50	.18"
	4' XPert Filtered Balance Station	80	305	.77" - .87"	62-66	25	.13"
	(6" Duct, Tall or Deep Models)	100	380	.92" - 1.04"	67-70	5	.05"
5' 12" Sash	5' XPert Filtered Balance System	60	290	.38" - .46"	52-56	450	.22"
	5' XPert Filtered Balance Station	80	385	.55" - .67"	58-63	230	.20"
	(10" Duct)	100	480	.72" - .85"	63-67	120	.15"
6' 12" Sash	6' XPert Filtered Balance System	60	350	.46" - .56"	55-57	300	.20"
	6' XPert Filtered Balance Station	80	465	.67" - .81"	61-63	150	.18"
	(10" Duct)	100	580	.87" - 1.03"	67-69	70	.13"

Proper blower selection can be determined from these exhaust requirements and the total system static pressure loss. For outside exhaust, the enclosure must be connected to either a dedicated blower or a house exhaust system. Labconco offers accessory remote blowers listed in Chapter 7. Contact Labconco for blower sizing assistance.



**If the enclosure is connected directly to a house exhaust system, an adjustable damper (or valve) must be installed to control the airflow properly. This is equally important when a house exhaust system is controlling multiple filtered enclosures. See Chapter 7 for accessory adjustable damper ordering information.**

## Electrical Requirements

Standard duplex electrical receptacles should be nearby for connecting the filtered enclosure, or other equipment, such as a balance for weighing operations. The enclosures include iris pass-thru to allow electrical cords through the back of the enclosure without leaving a large hole for contaminants to escape.

### XPert System

There is no provision for controlling a remote blower for exhausting air from the XPert Systems. One way to do this, however, is to have a certified electrician connect a wall mounted switch receptacle nearby so that the switch controls both the remote blower and the receptacle. The power cord for the XPert System is then plugged into this receptacle.

### XPert Station

The remote blower for the XPert Filtered Balance Station may be connected to the blower switch on the enclosure. The blower switch is connected to a relay whose wires are terminated in the junction box behind the front panel. We recommend a maximum amperage of 6 for this circuit to the remote blower. Connect the blower wires inside the junction box to the remote blower per local electrical codes.

## Space Requirements

The dimensions for the different models are shown in Appendix B: Dimensions.

---

## Chapter 3:

# Getting Started

Now that the site for your filtered enclosure is properly prepared, you are ready to unpack, inspect, install, and validate your system. Read this chapter to learn how to:

- Unpack and move the enclosure.
- Set up the enclosure with the proper supporting structure and work surface.
- Connect to an exhaust system if applicable.
- Installation of HEPA and accessory Odor Control carbon filters.
- Connect the electrical supply.
- Set the face velocity with the speed control adjustment.
- Arrange validation for the enclosure.
- Seal the enclosure to the work surface.

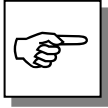
Depending upon which model you are installing, you may need common mechanical and electrical installation tools in addition to 5/16", 3/8", 7/16", and 1/2" wrenches, ratchets, sockets, a nut driver set, a flat-blade screwdriver, a Phillips screwdriver, and a carpenter level to complete the instructions in the chapter.



**Each enclosure model weighs between 125 to 350 lbs. each (55 to 152 kg). The shipping container allows for lifting with a mechanical lift truck or floor jack. If you must lift the enclosure manually, follow safe-lifting guidelines. Do not lift by the front air foil.**

## Unpacking the Enclosure

Carefully remove the shrink-wrap or carton on the enclosure and inspect it for damage that may have occurred in transit. If damaged, notify the delivery carrier immediately and retain the entire shipment intact for inspection by the carrier.



**DO NOT RETURN GOODS WITHOUT THE PRIOR AUTHORIZATION OF LABCONCO. UNAUTHORIZED RETURNS WILL NOT BE ACCEPTED.**



**IF ENCLOSURE WAS DAMAGED IN TRANSIT, YOU MUST FILE A CLAIM DIRECTLY WITH THE FREIGHT CARRIER. LABCONCO CORPORATION AND ITS DEALERS ARE NOT RESPONSIBLE FOR SHIPPING DAMAGES.**

*The United States Interstate Commerce Commission rules require that claims be filed with the delivery carrier within fifteen (15) days of delivery.*

Do not discard the packing material until you have checked all of the components and tested the enclosure. We recommend that you do not remove the enclosure from its shipping container until it is ready to be placed into its final location. Move the unit by placing a flat, low dolly under the shipping skid, or by using a floor jack.



**Do not move the enclosure by tilting it onto a hand truck.**

## Installing the Filtered Enclosure on a Supporting Structure and Work Surface

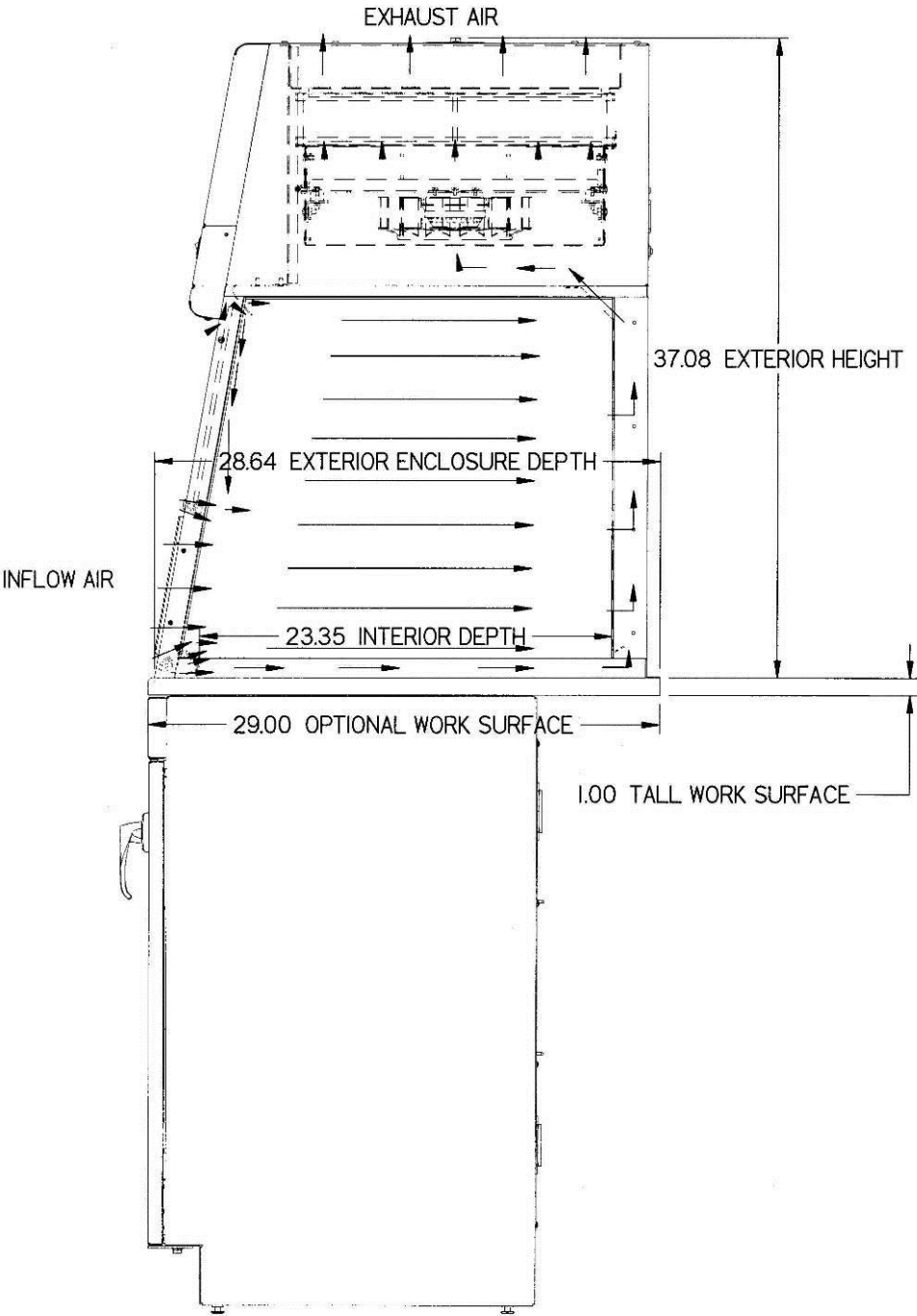
Use caution when lifting or moving the enclosure. When installing the enclosure onto a chemical-resistant work surface or benchtop, ensure that the structure can safely support the combined weight of the enclosure and any related equipment. The work surface should be at least as wide as the enclosure to properly support it. The front of the enclosure should be aligned within 0.3" of the front of the work surface. Mounting holes are provided in the Labconco accessory work surfaces to secure the enclosure. RTV Silicone sealant must be applied for additional support.

### Work Surface Specifications

The work surface should be smooth, rigid, and durable. The surface should be non-porous and resistant to the powders, solvents and chemicals used in conjunction with the XPert Filtered Enclosure.

## Work Surface and HEPA Filtered Enclosure Installation

1. Level the base cabinets and the work surface. Work surface should be placed flush with the front of the base cabinet as shown in Figure 3-1.
2. Position the work surface in its intended location and with the front of the work surface towards you. (Rear mounting holes are located close to the rear edge.)
3. Secure the work surface to the base cabinet with a structural adhesive or silicone sealant.
4. Insert the supplied mounting screws in the four holes. Allow a minimum of 1/8" clearance under the head of the screw for positioning the enclosure. For the 5' and 6' stainless work surfaces, use a #10-24 x 3/8" hex washer head screw (Labconco part number 1885806).
5. Place the enclosure on the work surface and slide the rear flange and front air foil flanges under the mounting screw heads.
6. Tighten the four screws to complete the installation.
7. Apply RTV silicone sealant to the work surface and enclosure for additional support.



**Figure 3-1**  
**Filtered Enclosure Installation**

## Connecting to the Exhaust System (Optional on XPert Filtered Balance System)



**ATTENTION:** The weight of the exhaust ductwork system must be supported independently of the enclosure superstructure or damage may occur.



The exhaust system should be installed by a qualified HVAC contractor.

The exhaust connection on the 2', 3' and 4' XPert Filtered Balance Stations have been designed to accept 6" diameter ductwork as shown in Figure 3-2. The 5' and 6' XPert Filtered Balance Stations have been designed for 10" diameter ductwork. For the 2', 3' and 4' sizes, the exhaust connection ships uninstalled on the top and needs to be fastened with the screws provided. See Chapter 7 for ordering Canopy Exhaust Connection for the XPert Filtered Balance System. Both 6" for house exhaust and 5" for connection to a FilterMate Portable Exhauster are available. Canopy Exhaust Connection aids in the removal of chemicals or applications where a higher degree of powder and particulate removal is required. Review Chapter 2 for exhaust prerequisites and review Chapter 7 for ordering blower exhaust equipment. See Figure 3-2 for the XPert Station and Figure 3-3 for Canopy Exhaust Connection options for the XPert Filtered Balance System.

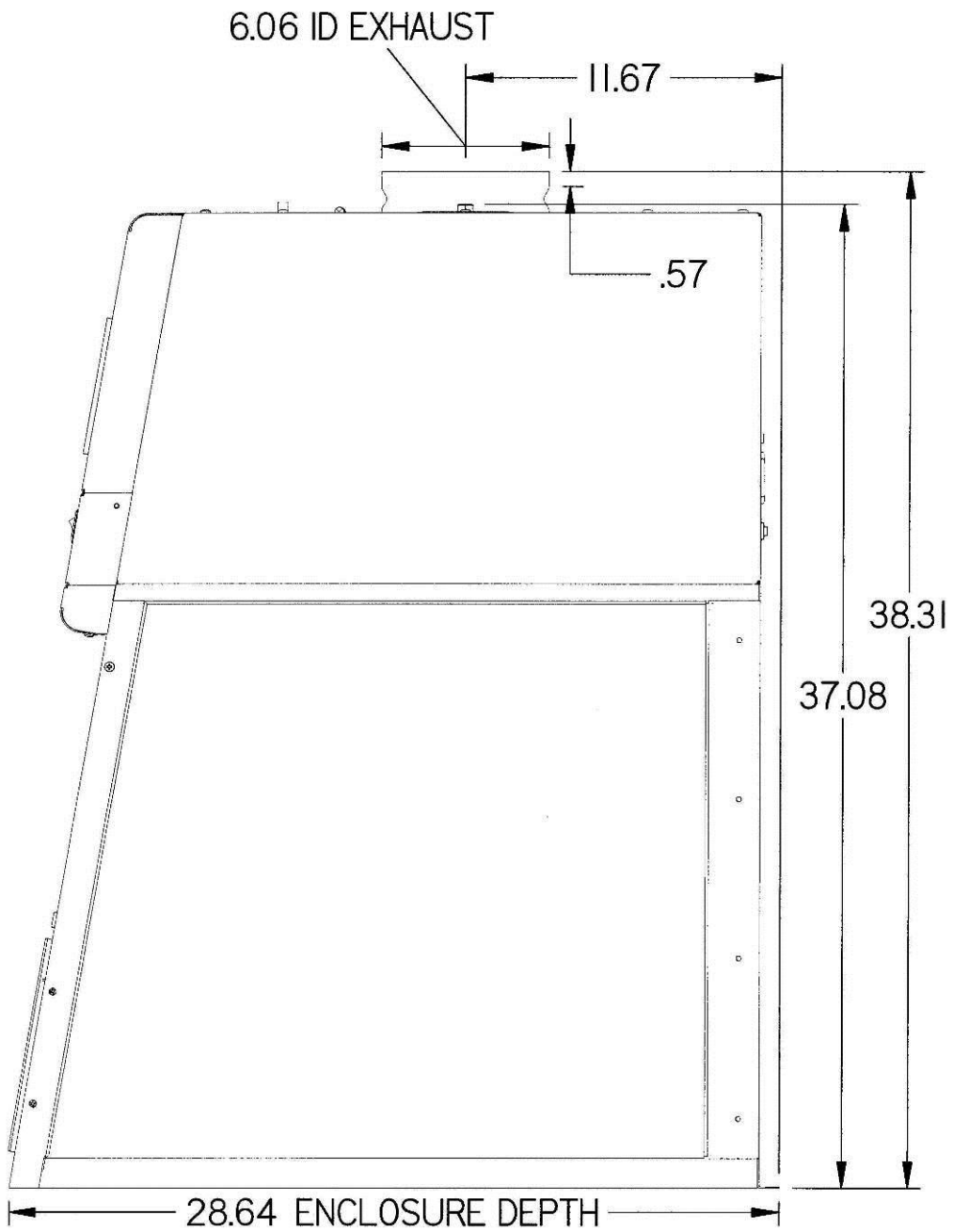
Consult Labconco Customer Service should you require help sizing your blower for the exhaust volume and system static pressure loss.



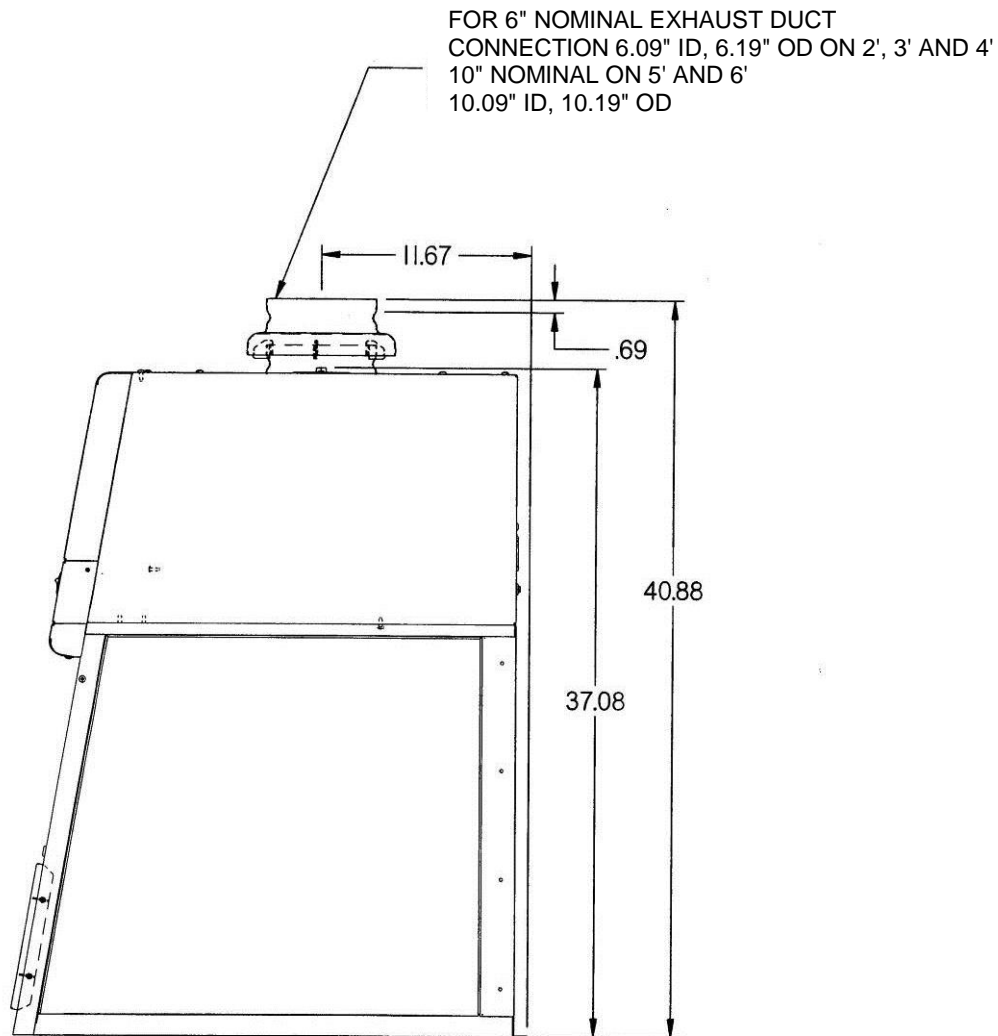
**To ensure compatibility, the selected exhaust duct material should match the enclosure, procedures and chemical applications.**



2', 3' and 4' - 6.06" ID Exhaust 5' and 6' - 10.09" ID Exhaust



**Figure 3-2**  
**XPert Filtered Balance Station only**  
**Model Series 3940200, 3940300, 3940400, 3946500 and 3946600**



**Figure 3-3**  
**Optional Canopy Exhaust Connection shown installed on XPert**  
**Filtered Balance System for outside exhaust Part #3924400 (2'),**  
**3924401 (3'), 3924402 (4'), 39294403 (5'), and 3924404 (6')**

## Installation of HEPA Filters and Accessory Odor Control Carbon Filters

### HEPA Filters

HEPA filters are shipped installed with the gasket on the downstream side. The HEPA filters are leak checked at Labconco. A second leak check is recommended before using the enclosure and at least annually thereafter. Consult your Safety Officer and Chapter 6 for the HEPA Filter Leak Test and HEPA Filter Bag-In/Bag-Out Procedure. See Figure 4-2 for HEPA filter location, HEPA filter gasket, filter clamp bolts, and bag-in/bag-out flange. The XPert enclosures have a true bag-in/bag-out HEPA filter to safely dispose of the filter. All seams upstream of the HEPA filter are jacketed by negative pressure. This intrinsically safe design ensures containment.

### Carbon Filters (Accessory for Odor Control only)

For carbon filter installation, first remove the upper perforated cover, secured by Phillips head screws, on the top of the enclosure. See Figures 4-1 and 4-2 for location of the upper perforated cover. See Chapter 7 for a list of available carbon filters. All carbon filters are simply gravity installed with the gasket side down and down stream on the exhaust side of the HEPA filter. Install the correct carbon filter for the application.

	Filter Type	Appropriate Use
HEPA	HEPA	HEPA filters are high-efficiency particulate air filters having a particulate removable efficiency of 99.99% for particles with a diameter of 0.3 micron.
	2' 3707900	
	3' 3707901	
	4' 3707902	
	5' 3707903 (2 ea)	
	6' 3707901 (2 ea)	
Carbon	Organic Vapor Activated Carbon	Adsorbs organic compounds designated by NIOSH guidelines as acceptable for use with chemical cartridge-type respirators. Concentrations in the enclosure's work area must not exceed the IDLH for the chemical and the exhaust from the enclosure must not exceed the TWA.
	2' 3937200	
	3' 3937300	
	4' 3937400	
	5' 3981400 (2 ea)	
	6' 3937300 (2 ea)	
Carbon	Formaldehyde (Formalin)	Formaldehyde requires the use of an impregnated carbon for the treatment of formaldehyde. Concentrations in the enclosure's work area must not exceed the IDLH for the chemical and the exhaust from the enclosure must not exceed the TWA.
	2' 3937201	
	3' 3937301	
	4' 3937401	
	5' 3981401 (2 ea)	
	6' 3937301 (2 ea)	

	Filter Type	Appropriate Use
<b>Carbon</b>	Ammonia and Amines	Treats ammonia, low molecular weight amines and other bases designated by NIOSH as acceptable for use with ammonia cartridge type respirators. Requires the use of an impregnated carbon. Concentrations in the enclosure's work area must not exceed the IDLH for the chemical and the exhaust from the enclosure must not exceed the TWA.
	2' 3937202	
	3' 3937302	
	4' 3937402	
	5' 3981402 (2 ea)	
6' 3937302 (2 ea)		
<b>Carbon</b>	Acid-Sulfur	Impregnated carbon adsorbs mineral acids and sulfur compounds designated by NIOSH as acceptable for use with chemical cartridge-type respirators. Concentrations in the enclosure's work area must not exceed the IDLH for the chemical and the exhaust from the enclosure must not exceed the TWA.
	2' 3937203	
	3' 3937303	
	4' 3937403	
	5' 3981403 (2 ea)	
6' 3937303 (2 ea)		



**Important: Carbon filters do not provide any particulate protection, but provide odor control.**

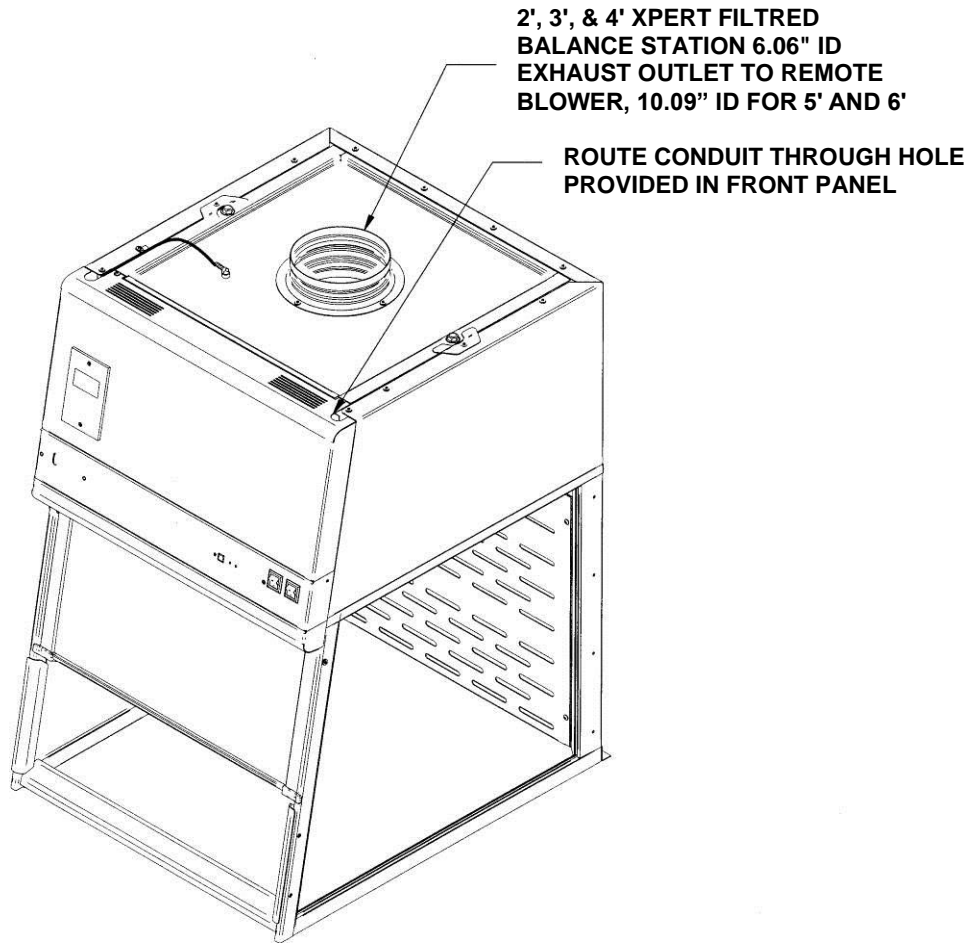
## Connecting the Electrical Supply Source to the Filtered Enclosure

### 115V Models

Simply connect the 115V power cord supplied to the IEC electrical supply plug on the back of the enclosure. If using at 50 Hz operations, blower performance maximum airflow will be reduced by 17%.

For the remote blower used for XPert Stations, follow the wiring diagram on the enclosure and wire the blower wires in the electrical junction box located behind the front panel. These wires are switched by the electrical relay via the blower switch. The maximum circuit load for the electrical relay is 6 amps. Only the remote blower wiring is connected inside the electrical junction box. The lights and airflow monitor are powered from a standard duplex electrical receptacle located nearby for connecting the power cord. All wiring for the XPert Filtered Balance Station should be performed by a licensed electrician and conform to local codes. In most cases, the XPert Filtered Balance Station will require the use of shielded conduit to protect the wiring.

See Figure 3-4. The grounding connection shall not be made to the terminal box cover. The building electrical supply system for the remote blower should include overload protection such as a switch or circuit breaker in close proximity and within easy reach of the operator. The switch or circuit breaker shall be marked as the disconnecting device. Consult NEC-2002 for proper installation.



**Figure 3-4**  
**XPert Filtered Balance Station Conduit Location for Wiring External Remote Blower.**

## 230V Models

The same procedure applies for the 230V except it is shipped without a plug. Install the appropriate plug for your electrical specifications per local codes.



**Do not use any detachable power cord that is not adequately rated for the unit.**

**Ne pas utiliser un fil électrique amovible qui n'est pas du tension nominale de l'appareil.**

## Set the Face Velocity with the Speed Control Adjustment

### XPert Filtered Balance System Only

For XPert Filtered Balance Systems, adjustment of the speed control gives the correct face velocity and is located behind the front panel. The face velocity should be adjusted from 60 to 100 fpm for weighing operations. (Consult your Safety Officer for airflow recommendations for your application). Containment is maximized at a setting within this range. Working at the lowest face velocity appropriate for the application will give the quietest operation. Face velocity measurements are made using an anemometer. An electric anemometer can be obtained from your laboratory supply dealer. Face velocity measurements should be taken in accordance with the *Industrial Ventilation Manual*. Using a small Phillips screwdriver, adjust the speed control to give the required face velocity. See Figures 6-1 and 6-2 in Chapter 6 to locate the speed control. The face velocity is increased by turning the speed control counter clockwise and clockwise to decrease face velocity.

## Validating the Vented Enclosure

To determine the actual face velocity at the sash opening, airflow velocity readings are taken. This should be done across the sash opening of the enclosure in accordance with the *Industrial Ventilation Manual*. (See Appendix E) The “average face velocity” is achieved by taking readings in two rows across the enclosure with the readings 6" from the ends and evenly spaced every 12"; the first row is 3" down from the upper sash foil and the second row is 3" up from the work surface. Refer to Chapter 2 for proper airflow volumes for your particular model.

The XPert enclosures have been tested at Labconco's airflow test facility per ASHRAE 110-1995. All enclosures achieve an “as manufactured rating” of less than 0.05 part per million (ppm) at 4 liters per minute (lpm); AM <0.05 (Consult Labconco for individual ratings). For “field use” ASHRAE testing contact Labconco for a certified on-site contractor. For particulate powder validation, Labconco had containment testing performed to validate the enclosures for sodium naproxen

powders. The XPert HEPA filtered enclosures demonstrated excellent containment when used by an operator using excellent technique and good containment when used by an operator using marginal technique. While no enclosure can compensate for improper technique, these tests confirm that the XPert HEPA Filtered Enclosures provide a safe working environment. For particulate powder and gas containment, Labconco performed extensive testing to validate the enclosures. For balance stability, Labconco conducted tests with a built-in blower and without a marble surface; test results were excellent at 78 fpm and 100 fpm, confirming no detectable instability with the five decimal place balance. For copies of these validation reports, contact Labconco Customer Service.

The XPert enclosures were also subjected to Biological Containment testing, using a modified Personnel Protection Test, as described in NSF/ANSI Standard Number 49. An aerosol challenge of approximately  $5 \times 10^8$  spores of *Bacillus subtilis* var *Niger* were released in the enclosure and appropriate air sampling equipment established the number of spores that escaped through the sash opening. Each size enclosure was tested three times. All sizes of the enclosure were tested at 75 FPM inflow and typically 1 or less than one spore escaped from the enclosure during each of the tests.



**NOTE: Face velocity profiles and smoke testing should be performed frequently per your organization's quality system to ensure safe performance.**

## Sealing the Filtered Enclosure to the Work Surface

When the filtered enclosure has been set in place, ducted, (if necessary), and wired, it must be sealed at the work surface to prevent spilled materials from collecting under the walls. A bead of silicone sealant is recommended to seal the filtered enclosure to the work surface. This seal also provides additional rigidity.

---

# Chapter 4:

## High Performance Features and Safety Precautions

### High Performance Features

The patented<sup>1</sup> XPert Filtered Balance System and XPert Filtered Balance Station are designed to meet the needs of the laboratory scientist, and provide superior containment while conserving energy at OSHA approved “low flow” velocities as low as 60 feet per minute. The filtered enclosures have been tested to effectively contain toxic and noxious materials when properly installed and operated. What makes the filtered enclosures so unique is the revolutionary way they direct air into and through the contaminated air chamber. Labconco engineered the filtered enclosures to minimize the effects of turbulence. The containment-enhancing and aerodynamic designs of the upper sash foil, side air foils, lower air foil, upper dilution air supply, and rear perforated baffle all work in concert to produce horizontal airflow patterns that significantly reduce powder, chemical and particulate concentrations through the work area.

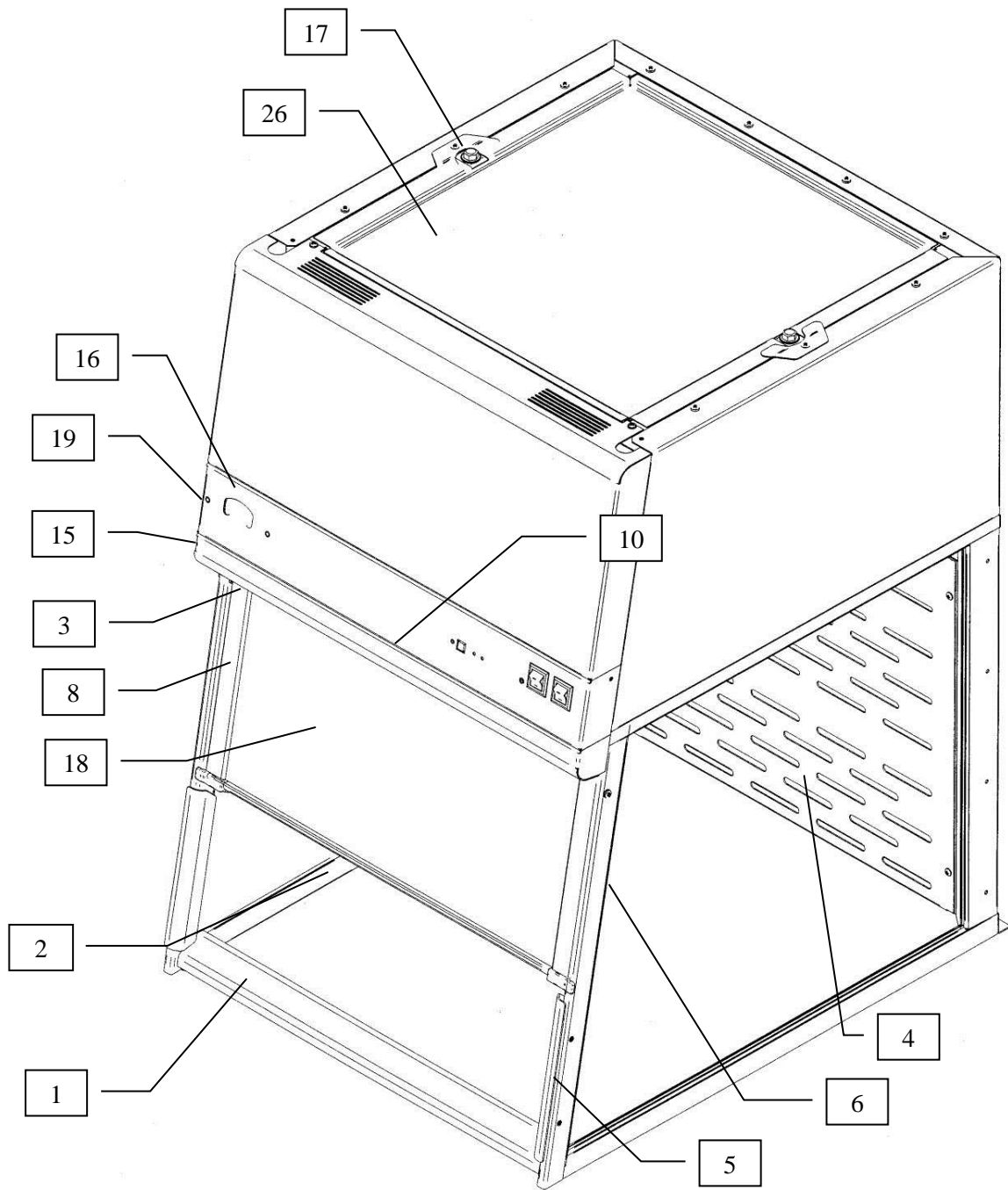
These concentrations of materials are predominantly removed on the “first pass” of airflow through the chamber resulting in high performance containment. The plenum and the HEPA filter are jacketed by negative pressure. Should a leak occur in the filter gasket or the plenum, the contaminated air is recaptured and refiltered.

The XPert Filtered Balance System and XPert Filtered Balance Station include a true bag-in/bag-out HEPA filter disposal system to protect the worker from contact with hazardous powders and particulates. Users of both products are encouraged to routinely check airflow with the use of the airflow monitor.

---

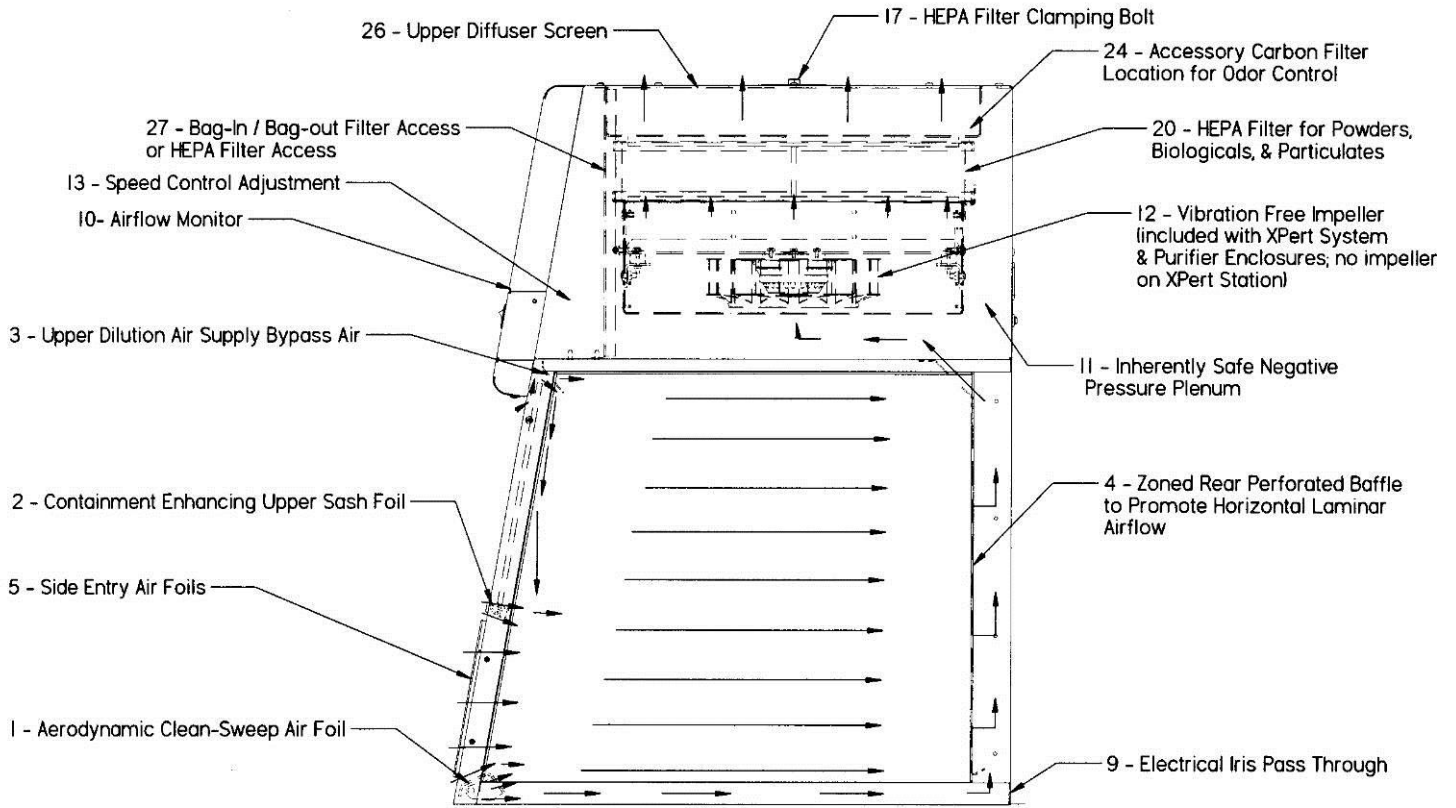
<sup>1</sup> U.S. Patent No. 6,461,233 and US. Patent No. D538,941





Not Shown 7, 9, 10, 11, 12, 13, 20, 21, 22, 23, 24, 25, 28  
(See Figure 4-2)

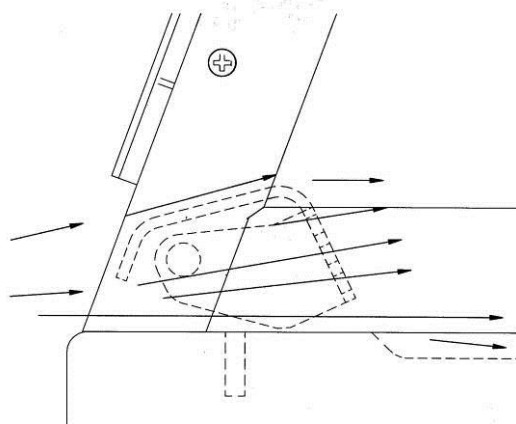
Figure 4-1



**Figure 4-2**  
**HEPA Filtered Enclosure Airflow Diagram**

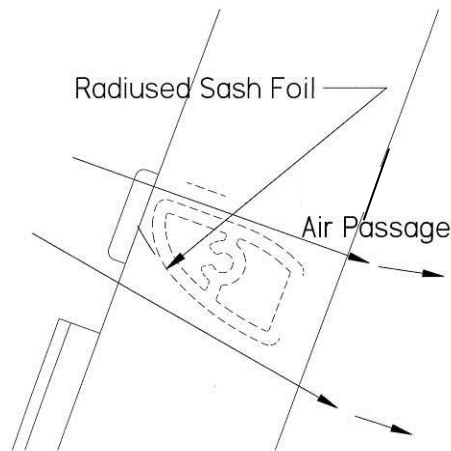
1. **Aerodynamic Clean-Sweep™ Air Foil** has a unique shape that allows air to sweep the work surface for maximum containment. The Clean-Sweep™ openings create a constant protective barrier from contaminants. Should the operator inadvertently block the airflow entering the air foil, air continues to pass under the air foil and through the Clean-Sweep openings. See Figures 4-1 and 4-3.

Figure 4-3



2. **Containment-Enhancing Upper Sash Foil** includes an open air passage directly atop the sash foil to bleed air into the hood chamber and direct chemical, powder and particulate materials away from the sash opening. The radiused sash foil sweeps airflow into the hood with minimal turbulence. See Figures 4-1 and 4-4.

Figure 4-4



3. **Upper Dilution Air Supply** provides bypass air from above the work area. This feature constantly bathes the inside of the sash with clean air and reduces powders, particulate materials and chemical fumes along the sash plane, near the critical breathing zone. Five to seven percent of the required air volume is introduced through the upper dilution air supply. The upper dilution air supply also reduces stagnant pockets of air in the upper interior. See Figure 4-2.
4. **Zoned Rear Perforated Baffle** directs horizontal laminar air streams to the three-zoned sections of the perforated baffle. The three-zoned sections have increasingly more open area at the bottom that help form laminar airflow. This minimizes the potential for air to roll forward preventing contaminants from moving toward the sash opening. The majority of contaminants are highly diluted, captured and removed on the first pass through the enclosure. Rear perforated baffle may be tilted or removed for ease in cleaning. See Figures 4-1 and 4-2.
5. **Side-Entry Air Foils** allow turbulence-free air to enter the enclosure from the sides and allow clean air to sweep the interior walls of the enclosure. See Figures 4-1 and 4-2.
6. **Ergonomic Slope** provides maximum visibility, and comfort reduces glare, thereby minimizing operator fatigue. See Figure 4-1.
7. **Internal Depth of 23" or 30" and 22.8" or 32" Interior Height** provides necessary depth and height to support modern balances and other auxiliary equipment without extending outside the enclosure or resting on the lower air foil. See Figure 4-1. The 2' and 3' sizes are available with 23" internal depth and 22.8" interior height. The 4' sizes are available in 22.8" or 32" interior height and are available with 23" or 30" interior depth. The 5' and 6' sizes have standard 32" interior height and are available with 30" interior depth.
8. **Safety Glass Sash** has a wiping seal to contain contaminants and features a spring-loaded latch to secure sash open for loading and cleaning. The sash must be down for normal operation. See Figure 4-1. The 5' and 6' units utilize a gas spring assist in place of the latch.
9. **Utility Ports with Iris** allows electrical cords and data cords to pass through the back of enclosure without leaving a large hole for contaminants to escape. The enclosure ships with solid plugs. Iris plugs are included with the User's Manual. See Figure 4-1 and 4-2.
10. **Accessory Guardian Airflow Monitor or Guardian™ 1000 Digital Airflow Monitor** continuously monitors airflow. An audio/visual alarm alerts the user to low airflow conditions. The Guardian 1000 Digital Airflow Monitor also displays a face velocity value, provides an RS232 output, a night setback mode and several auxiliary relay ports. Both airflow monitors are available options on all XPert models. See Figure 4-1 and 4-2.
11. **Inherently Safe Impeller** has a negative pressure plenum that surrounds the positive pressure impeller so that if a leak should occur, the unfiltered air is captured and refiltered. See Figure 4-2.

12. **Vibration-Isolated Motorized Impeller** has vibration isolation supports, which eliminates transfer of vibration to the work surface. This is extremely useful in weighing operations with precision balances. The impeller wheel is also dynamically balanced. See Figure 4-2.
13. **Speed Control** regulates the speed of the motorized impeller and is used by the certifier to validate and adjust the inflow velocity. Located behind the front panel. See Figure 4-2.
14. **Space-Saving Design** increases effective laboratory workspace, because the impeller and HEPA filter are contained within the enclosure, a separate filtered blower module is not required. See Figure 4-1
15. **Fluorescent Lamp** is located above the work area, out of contact with contaminated air. A safety glass window beneath the lamp distributes the light evenly across the work surface. See Figure 4-1.
16. **Filter System Pressure Gauge** indicates the total system pressure across the HEPA filter and pressurized plenum to help predict HEPA filter loading. See Figure 4-1.
17. **Filter Clamping Bolt** evenly seals the HEPA filter to the frame of the enclosure. See Figure 4-1 and 4-2.
18. **Sash.** The sash is constructed of 1/4 inch tempered safety glass. It pivots up for loading and cleaning. See Figure 4-1
19. **Control Panel.** The control panel, which is located above the sash, contains the filter system pressure gauge, control switches and the electronics. See Figure 4-1.
20. **HEPA (High Efficiency Particulate Air) Filter** is rated to remove 99.99% of all particles 0.3 micron in size. See Figure 4-2. HEPA filters listed in Chapter 3 and 7.
21. **Lamp Ballast (Not Shown)** for the fluorescent lamp is located behind the control panel.
22. **Accessory Work Surface** (not shown) is contoured to fit the dimensions of the enclosures to contain spills.
23. **XPert Filtered Balance Station Exhaust Collar (Not shown)** provides a 6" (2', 3' and 4') or 10" (5' and 6') diameter transition to a remote blower or house exhaust system. See Figure 3-2 in Chapter 3.
24. **Accessory Odor Control Carbon Filters** are available for nuisance odor control. Accessory carbon filters are designed to remove trace amounts of noxious fumes; capacity is not adequate to remove continuous fume generation. The carbon filters are supported above the HEPA filter and the gasket side is down and compressed by the weight of the carbon filter. Carbon filters are listed in Chapter 3 and 7. See Figure 4-2.
25. **Accessory Thimble Exhaust Connection** is available to duct integral blower models including the XPert Filtered Balance System to the outside. The Thimble Exhaust Connection allows the operator additional protection

from hazardous particulates, fumes or vapors and should also be used if the carbon filter capacity is not adequate. Each Canopy Exhaust Connection includes an epoxy-coated steel exhaust transition adapter designed for 6" diameter nominal duct on 2', 3' and 4' sizes. The 5' and 6' sizes use 10" nominal duct. See figure 3-3 in Chapter 3 and figure B-3 in appendix B.

26. **Upper Diffuser Screen** provides protection for the HEPA Filter and (LED) airflow sensor. See Figure 4-1 and 4-2.
27. **HEPA Filter Access Port** to access HEPA filter during filter changing procedures. For harmful powders and particulates, the true bag-in/bag-out procedure is used to properly dispose of the contaminated HEPA filter. See Figure 4-2.
28. **Utility Shelves** (not shown) allow the user to hold utensils and printers on shelves inside the enclosure. See Chapter 7.

### Safety Precautions

1. Although the enclosure has been engineered to maintain optimum operator safety, caution should always be used while working. Prior to using the enclosure, check to make sure that the exhaust blower is operating and that air is entering the enclosure at its specified face velocity. The use of an airflow monitor is recommended to alert the user to a problem with airflow.
2. Use good housekeeping in the enclosure at all times. Clean up spills immediately. Periodically clean enclosure interior.
3. Do not overload the work surface with apparatus or work material. The safe operation of the enclosure is based upon having proper airflow through the structure. Do not place large objects directly on the work surface. Instead, elevate the object 3/4" on blocks to allow a flow of air under the object and into the rear baffle exhaust slots. Ensure blocks are level and secured in place.
4. Blocking large portions of the rear baffle will change the airflow pattern in the enclosure causing turbulence. (Do not store containers or supplies against the rear baffle, as this will affect airflow).
5. Always work with your hands as far back into the enclosure as possible. Keep all powders, chemicals and apparatus inside the lower air foil of the enclosure.
6. Do not work in this enclosure without the exhaust system running.
7. Perchloric acid use in this enclosure is prohibited.
8. High-level radioisotope materials are prohibited in this enclosure. Consult your Safety Officer.
9. Avoid cross drafts and limit traffic in front of the enclosure. Air disturbances created may draw contaminants out of the enclosure.
10. A qualified certification technician should test the enclosure before it is initially used. The enclosure should be validated whenever it is relocated.

11. The use of safety goggles, protective clothing, gloves and any other personal protective equipment recommended by your safety officer should be used.
12. The sash must remain in the down position while using the enclosure.
13. Proper performance of the enclosure depends largely upon its location and the operator's work habits. Consult the references in *Appendix D*.
14. The enclosure should be recertified whenever it is serviced or at least annually thereafter.
15. The HEPA filter provides personnel and environmental protection from particulate matter. Because room air is drawn over the work surface during operation, this enclosure should not be used for operations requiring product protection from environmental contamination.
16. Avoid the use of flammable gases or solvents in the enclosure if possible. Care must be taken to ensure against the concentration of flammable or explosive gases or vapors. Use of an open flame should be avoided in the enclosure. Open flames may disrupt the airflow patterns in the cabinet, burn the HEPA filter and damage the filter's adhesive. Gases under high pressure should not be used in the enclosure as they may disrupt the airflow patterns of the cabinet.
17. HEPA filters are only effective for entrapment of particulate matter. Manipulations that generate gases or vapors from toxic chemicals or radionuclides, must be evaluated carefully from the standpoint of buildup to dangerous levels, the decontamination of the enclosure and compliance with applicable regulations.
18. The surface of the HEPA filter is fragile and should not be touched. Care must be taken to avoid puncturing the HEPA filter during installation or normal operation. If you suspect that a HEPA filter has been damaged DO NOT use the enclosure; contact a local certification agency or Labconco.
19. The HEPA filter in the enclosure will gradually accumulate airborne particulate matter from the room and from work performed in the enclosure. The rate of accumulation will depend upon the cleanliness of the room air, the amount of time the enclosure is operating and the nature of work being done in the enclosure. With normal usage, the HEPA filters will last two to five years before requiring replacement.
20. Ensure that the filtered enclosure is connected to an electrical service in accordance with local and national electrical codes. Failure to do so may create a fire or electrical hazard. Do not remove or service any electrical components without first disconnecting the filtered enclosure from electrical service.
21. Use of an open flame must be avoided with the enclosure. Open flames may disrupt the airflow patterns in the enclosure and cause a fire hazard with volatile solvents.

22. Increase the face velocity by adjusting the speed control of the motorized impeller on the XPert Filtered Balance System or change the HEPA filter when the face velocity falls below acceptable limits established by your Safety Officer.
23. Exhaust carbon filters and HEPA filters are disposed as hazardous waste. The user is responsible for recording the chemicals adsorbed or treated by the filters and disposing properly. HEPA filters should be disposed using the disposal bag on XPert enclosures.
24. Ensure only trained operators use the enclosure. New users should review the User's Manual and become familiar with the operation of the enclosure.
25. If the filtered enclosure is to be used in a confined space, make sure the space is well ventilated and the concentration of toxic contaminants cannot accumulate greater than the TWA.
26. Proper operation of the enclosure depends largely upon the enclosure location and the operator's work habits. The enclosure should be located away from traffic patterns, doors, fans, ventilation registers, fume hoods, and any other air-handling device that could disrupt its airflow patterns. Consult Chapter 2: Prerequisites and Chapter 3: Getting Started sections of this manual for further details.
27. Only powders and particulates removed by HEPA filters and trace chemicals, which can be safely adsorbed and treated with specific carbon based filters are appropriate for use in this enclosure.
28. The warning properties (i.e., odor, taste) of the volatile organic compounds or other material being used in the enclosure must be adequate to provide an early indication that the carbon filter may be saturated or inadequate. Contact Labconco for help with chemical assessment.
29. Use the smallest possible quantity of chemical(s) within the enclosure and never exceed the amount, which can be effectively adsorbed by the Odor Control carbon filter before breakthrough.
30. For weighing procedures, adjust face velocity between 60 and 100 FPM for effective operation.
31. Leave the blower on for at least one minute after work in the enclosure has been completed.
32. If a chemical, powder or particulates are spilled on the work surface, **DO NOT** switch off the blower until all traces have been removed.
33. Tag enclosures with appropriate warning, if filters have been removed for service.
34. If the blower fails during use, processes should cease and the area should be vacated and ventilated.
35. Always refer to the NIOSH Pocket Guide to Chemical Hazards before proceeding. For additional help with filter and chemical selection contact Labconco at 1-800-821-5525 or 1-816-333-8811.



---

# Chapter 5:

## Using Your Filtered Enclosure

Now that the installation of your filtered enclosure is completed, you are ready to use your filtered enclosure.

Read this chapter to learn about:

- Routine Daily Work Procedures.
- Suitable Applications.
- Appropriate HEPA Filter Applications, Suitability and Guidelines.
- Odor Control Carbon Filter Applications.
- Definition of Terms.
- Appropriate Chemicals for Odor Control Carbon Filters.
- Hazardous Misapplications for Odor Control Carbon Filters.
- Chemical Carcinogen use with Odor Control Carbon Filters.
- Prohibited Acid Use.

### Routine Daily Work Procedures

#### Planning

- Thoroughly understand procedures and equipment required before beginning work. Balances typically work best with the draft shield closed tightly and the enclosure set between 60-90 fpm.
- Arrange for minimal disruptions, such as room traffic or entry into the room while the enclosure is in use.

#### Start-up

- Turn on exhaust system and accessory light.
- Only raise the sash for loading and cleaning.
- Check the baffle air slots for obstructions.
- Allow the enclosure to operate unobstructed for 1 minute.
- Wear a long sleeved lab coat and rubber gloves. Use protective eyewear. Wear a protective mask if appropriate. Consult your Safety Officer for additional personal protective equipment recommendations.

### **Loading Materials and Equipment**

- Load only the materials required for the procedure. Do not overload the enclosure.
- Do not obstruct the air foil, or rear baffle slots.
- Large objects should not be placed close together and should be elevated above the work surface to permit airflow to sweep under the equipment.
- After loading, wait one minute to purge airborne contaminants from the work area.

### **Work Techniques**

- Keep all materials inside the lower air foil, and perform all contaminated operations as far to the rear of the work area as possible.
- Segregate all clean and contaminated materials in the work area.
- Avoid using techniques or procedures that disrupt the airflow patterns of the enclosure.

### **Final Purging**

- Upon completion of work, the enclosure should be allowed to operate for two to three minutes undisturbed, to purge airborne contaminants from the work area before shutting down the blower.

### **Unloading Materials and Equipment**

- Objects in contact with contaminated material should be surface decontaminated before removal from the enclosure.
- All open trays, weigh vessels or containers should be covered before being removed from the enclosure.

### **Shutdown**

- Turn off the exhaust system and light.

## **Suitable Applications**

NIOSH (National Institute for Occupational Safety and Health, USA) has established guidelines for chemical cartridge and HEPA filtered respirators. Suitable applications for the filtered enclosures are based on these guidelines. As with respirators, chemical contaminants are adsorbed or treated by carbon; particulates, powders and biohazardous materials are filtered by the HEPA filter before air is returned to the room. Biohazardous materials or other hazardous solids can be used with the HEPA filtered enclosure as long as appropriate decontamination occurs before filter changing operations. See Chapter 6 for decontamination procedures.

Listed below are suitable applications for HEPA filters and accessory Odor Control Carbon Filters.

### **HEPA Filter Applications, Suitability and Guidelines**

- Biohazardous materials and hazardous solids to protect only the operator and the surrounding environment.
- Weighing of powders.
- Release of particulates using a HEPA filter.
- Powder or particulate procedures traditionally performed on an open bench.
- The HEPA filtered enclosure provides personal and environmental protection from particulate matter, hazardous powders and biohazardous materials. Because room air is drawn through the enclosure during operation, this enclosure should not be used for operations requiring sample protection from environmental contamination.
- HEPA filters are only effective for entrapment of particulate matter, hazardous powders and biohazardous materials. Manipulations that generate gases or vapors, i.e., toxic chemicals or radionuclides, require the use of a HEPA and carbon filter in combination. Otherwise the enclosure should be ducted to the outside. The surface of the HEPA filter is fragile and should not be touched. Care must be taken to avoid puncturing the HEPA filter during installation. If you suspect that a HEPA filter has been damaged, DO NOT use the enclosure. See Chapter 6 for replacing the HEPA Filter or using a Bag-In/Bag-Out Disposal Bag.
- The HEPA filter will gradually accumulate airborne particulate matter from the room and from work performed in the enclosure. The rate of accumulation will depend upon the cleanliness of the room air, the amount of time the enclosure is operating, and the nature of work being done. With normal usage, the HEPA filters will last two to five years before requiring replacement.
- Each filtered enclosure is provided with a HEPA filter. For powders and particulates follow the HEPA Filter Bag-In/Bag-Out procedure in Chapter 6 for disposal instructions. For biohazardous materials, follow the Decontamination Procedure in Chapter 6 for disposal instructions.

### **Odor Control Carbon Filter Applications (sold as an accessory)**

- Release of low concentrations of vapors effectively adsorbed or treated in carbon based filters.
- Treatment of low-level carcinogens or suspected carcinogens. (See Chemical Carcinogens in Chapter 5)
- Procedures that may have traditionally been done on the open bench (low levels only).
- Odoriferous chemicals that are an unpleasant nuisance.

Other applications, not fitting the above guidelines, would be better suited with the exhaust ducted to the outside. The exhaust connection kit (See Chapter 3 and Chapter 7) can be added to the XPert Filtered Balance System for ducting to the outside. Additionally, the XPert Filtered Balance Station is factory prepared to be connected to a remote blower, or house exhaust system for ducting to the outside. Labconco also manufactures fume hoods and Class II Biological Safety Cabinets for exhausting to the outside. Consult Labconco product specialist for additional information.

### **Appropriate Chemicals for Odor Control Carbon Filters**

Below is a general set of rules to determine appropriateness of chemical usage.

Selected organic chemicals considered to be occupational carcinogens by NIOSH – National Institute for Occupational Safety and Health/Mine Safety and Health Administration. (U.S.A.) can be used in the filtered enclosure with carbon filters under rigid restrictions. See separate discussion on carcinogens for special instructions. Organics must have time weighted exposure limits TWA (Time Weighed Average) of 1 PPM or greater.

Chemicals must have a detectable odor at concentrations below the TWA for the chemical.

Chemicals must be designated by NIOSH (National Institute for Occupational Safety and Health/Mine Safety and Health Administration) guidelines as acceptable for use with chemical cartridge-type respirators (the exception is formaldehyde and ammonia/amines, which used impregnated carbon).

Chemicals not listed by NIOSH in the Pocket Guide must be approved by Labconco Product Specialist (or Engineering). Inlet concentration must never exceed the IDLH (Immediately Dangerous to Life and Health) concentrations. Chemicals having a recommendation by NIOSH of at least “Escape GMFOV” (Gas Mask Full-Face Respirator).

When evaporating a mixture of chemicals, the chemical having the lowest TWA will be used to determine if the mixture meets the guidelines.

Call a Labconco Product Specialist at 1-800-821-5525 for assistance in chemical appropriateness.

### **Hazardous Misapplications for Odor Control Carbon Filters with Volatile Chemicals**

There is one scenario where the accessory carbon filter misapplication would be a part of a hazardous condition. If the user continues to operate the enclosure with any of the following conditions present a potentially hazardous condition will exist:

1. The inlet concentration of vapors is greater than the TWA.
2. The carbon filter becomes saturated.
3. The ventilation of the room is insufficient to dilute the exhaust of the enclosure to below the TWA for the chemical.

When the inlet concentration is greater than the TWA, extra measures must be taken to monitor the filter and number of room air exchanges.

### Chemical Carcinogen Use with Odor Control Carbon Filters

Selected carcinogens may be used safely with Odor Control carbon filters under the following restrictions.



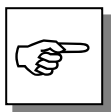
**The use of a vented fume hood or ventilated enclosure with ducting to the outside is always the preferred method when working with carcinogens. The Odor Control carbon filters should only be used, as a last resort when venting to the outside is not an option. Another option is the use of the XPert Filtered Balance Station, which uses a remote blower.**

The potential carcinogens are listed in the NIOSH Pocket Guide to Chemical Hazards as “Ca.” Each potential carcinogen must have a TWA of 1 or greater; have minimum respirator recommendation of Escape GMFOV, and an odor threshold significantly lower than the TWA for the chemical. The inlet concentration or the evaporation rate of the chemical must never exceed the TWA for the chemical.

Consult a Labconco Technical Specialist for estimated saturation life. See Chapter 6 for an example of estimating saturation life. Another source is the Labconco chemical guide for carbon-filtered enclosures.

### Prohibited Acid Use

The XPert Filtered Balance System and RXPert motorized impeller cannot be exposed to heavy acid use. Where applications require the use of heavy acids, a separate ventilated enclosure or vented fume hood should be used with a remote blower ducted to the outside. No exceptions are permitted, as the impeller life span will be limited with acid use. Accessory odor control acid-sulfur filters are only used with very light duty acids.



**LOW-LEVEL ACIDS CAN BE USED WITH THE XPERT FILTERED BALANCE STATION, WHICH USES A REMOTE BLOWER.**

---

# Chapter 6: Maintaining Your Filtered Enclosure

Monitoring airflow and changing the filters is the primary maintenance required. Decontamination may be required and is reviewed in Chapter 6.

Review this chapter on maintenance for the following:

- Routine Maintenance.
- Decontamination.
- Determination of when to replace the HEPA filters.
- How to install a new HEPA filter with the bag-in/bag-out procedure on XPert Filtered Balance Systems & Stations.
- HEPA filter leak test.
- Speed control adjustment and setting the inflow face velocity.
- Operating and calibrating the airflow monitors.
- Determination of when to replace Odor Control carbon filters and how to replace.
- Calculating Odor Control carbon filter life.
- Initial certification.
- Re-certification.
- Fluorescent light replacement.
- Motorized impeller replacement.
- Speed control replacement.

## Routine Maintenance Schedule

### Weekly

- Wipe down the interior surfaces of the enclosure with a disinfectant or cleaner, depending upon the usage of the unit and allow to dry.
- Using a damp cloth, clean the exterior surfaces of the enclosure, particularly the front and top to remove any accumulated dust.
- Operate the exhaust system, noting the airflow velocity through the enclosure using a source of visible smoke. Airflow monitors are recommended for constant monitoring.

### Monthly (or more often as required)



- Determine the actual face velocity through the sash opening of the enclosure where the average reading should be at the specified velocity. (Use calibrated thermal anemometer or other approved apparatus). Airflow alarms are recommended for constant monitoring.
- The enclosure rear baffle should be checked for any blockage to ensure that the enclosure is maintaining proper airflow.
- All weekly activities.
- Check face velocity. Increase speed control or change **HEPA** filter when face velocity of the enclosure drops below the recommended speed for your facility or if the airflow alarm monitor alerts you. Airflow monitors are recommended.

**HEPA**

**CARBON**

- While the enclosure is filled with the contaminant, test filter condition on Odor Control **carbon** filters using the appropriate gas detector tube at intervals of 20% of the total estimated time. The exception to the 20% recommendation is formaldehyde or any carcinogen or suspected carcinogen. These hazardous chemicals must be checked at least every 10% of the total estimated time. Gas detector tubes for the specific chemicals that are being used in the enclosure can be obtained from your laboratory supply dealer.

**CARBON**

- Replace Odor Control **carbon** filters when chemical breakthrough is indicated by odor, time, detector tube, or for some chemicals, analytical instrumentation. See “Replacing Odor Control Carbon Filters” section of this manual in Chapter 6.

### Annually

- Replace the fluorescent lamps.
- Have the enclosure validated by a qualified certification technician. See Certification and Recertification in Chapter 6.
- All monthly activities.

## Decontamination

When used in conjunction with biohazards, the XPert Filtered Balance System and XPert Filtered Balance Station should be decontaminated with formaldehyde gas before:

- Maintenance work in contaminated areas
- HEPA filter changes
- Moving the cabinet to a new location
- Changing research programs
- After a gross spill of biohazardous material

The procedures for performing a gaseous decontamination are thoroughly outlined in the U.S. Department of Health, Education and Welfare booklet entitled *Formaldehyde Decontamination of Laminar Flow Biological Safety Cabinets*, available from NIH, Division of Safety, Bethesda, MD 20892, call 301-496-2801, or from Labconco Corporation.

## Determination of When to Replace HEPA Filters

The HEPA filters in the filtered enclosures gradually accumulate airborne particulate matter and powders from the enclosure and room. The rate of accumulation will depend upon the cleanliness of the room air, the amount of time the enclosure is operating, and the nature of work being done in the enclosure. In typical installations and usage, the HEPA filters will last two to five years before requiring replacement. Replace HEPA filters when face velocity drops below the recommended 60-80 fpm velocity, and the speed control is adjusted to full speed. Replace HEPA filters if it fails the HEPA Filter Leak Test in Chapter 6.

## How to Install a New HEPA Filter with the Bag-In/Bag-Out Procedure for XPert Filtered Balance Systems and Stations

The XPert enclosures include a true bag-in/bag-out filter disposal system for safely removing the HEPA filter and protect the worker from toxic powders and particulates. See Figures 6-1 for the Bag-In/Bag-Out Procedure. For your safety, wear appropriate personal protective equipment during the change of HEPA filters. If working with biohazardous materials, use the decontamination procedure outlined in Chapter 6. (Consult your Safety Officer before performing filter changes).



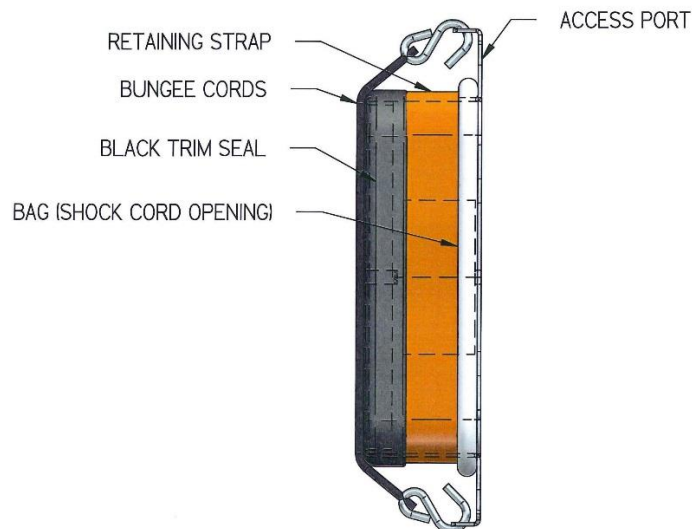
**Do NOT contact blower wheel while still in motion.**

**NE PAS être en contact avec la roué du ventilateur tant qu'il est en marche.**

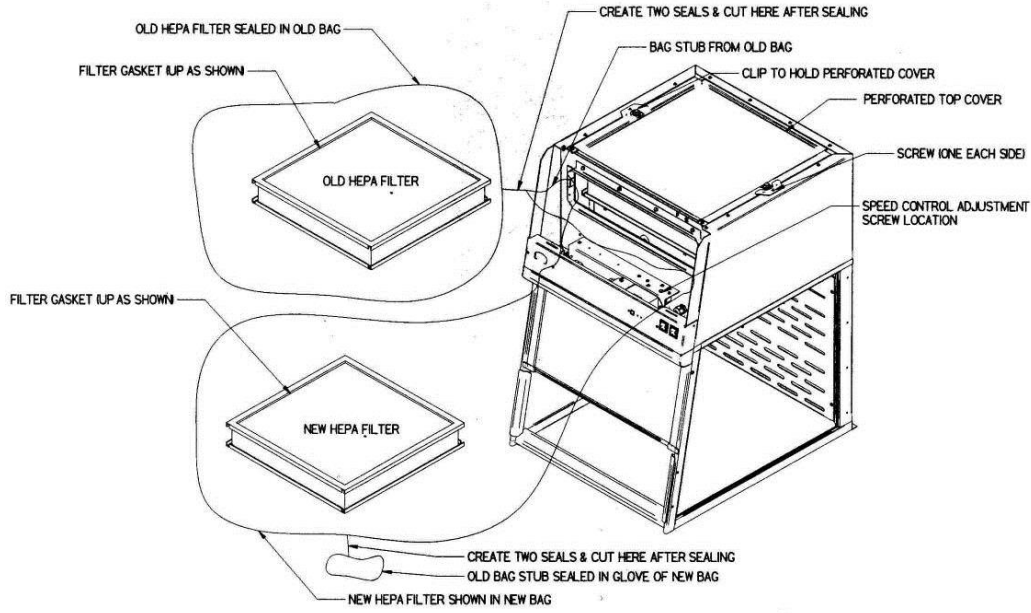
1. With the enclosure OFF, remove the front panel secured by two screws on top of the enclosure.



2. Remove the bungee cords and retaining strap on the bag and extend it out. The retaining strap provides an extra level of safety even though the enclosure is under negative pressure when the blower is on. Do not remove the black trim seal on leading edge of access port flange.
3. Loosen the two filter clamp bolts with a 9/16" socket securing the HEPA filter. See Figures 4-1 and 4-2.
4. Place both arms in the rear gloves of the bag, and carefully draw the HEPA filter out of the enclosure. Rest the HEPA filter on the floor, table or cart. Remove arms from bag gloves.
5. Create two seals between the enclosure bag access port and the old HEPA filter. Seals can be heat sealed or sealed with tie wraps. Cut off the bag between the two seals and leave the bag stub on the access port to the enclosure.
6. Place the new HEPA filter in the new bag. Slide the shock cord of the old bag forward against the back edge of the black trim seal. Place the new bag and new HEPA filter over the old bag stub and onto the enclosure access port. The new bag shock cord should be located past the old bag shock cord, and against the access port mounting flange. The new bag should be oriented on the access port with one glove down and two gloves centered on the upper part of the bag.
7. Carefully remove the black trim seal and old bag stub using the single glove near the access port. Reattach the retaining strap on the perimeter of the new bag at the enclosure access port. Draw the black trim seal and old bag stub into the single glove and turn the glove inside out. Double seal this glove and cut off the glove with the contaminated bag stub inside.
8. Carefully install the new HEPA filter and uniformly tighten the two filter clamp bolts until the HEPA filter gasket is compressed 50%.
9. Carefully fold and roll the new bag in four-inch pleats and push the bag into the access port. Install the new black trim seal with the inside barb located to inside of the access port. Install the bungee cords. Turn the enclosure ON to draw a vacuum on the bag. Reinstall the front panel.



**Figure 6-0**



**Figure 6-1**  
**Bag-In-Bag-Out HEPA Filter Changing Procedure Diagram & Filter Leak Test Diagram**

## HEPA Filter Leak Test

### Purpose

After installing the new HEPA filter, the HEPA filter should be leak checked. This test is performed to determine the integrity of the HEPA filter, the filter housing, and the filter mounting frames. Leak testing is to be done by a qualified technician with calibrated equipment. Remove the top perforated exhaust cover by using a Phillips screwdriver to unfasten the (2) screws used to secure (2) clips. See Figure 6-1. The filter passes the leak test at .01% or better. Reference Leak Testing and Photometer scanning from the Institute of Environmental Services (IES-RP-CC001.3)

### Apparatus

1. **An aerosol photometer ATI model 2D, 2E, 2G or equivalent.** Air Techniques Hamilton Associates inc. 11403 Cron Ridge Dr. Owings Mills, MD 21117
2. **One aerosol generator of the Laskin nozzle(s) type.** An aerosol of mineral oil or suitable liquid shall be created by flowing air through it. The compressed air supplied to the generator should be adjusted to a pressure of  $10 \pm 1$  psig. during operation. Air Techniques Inc. Model TDA-4A or equal. One nozzle at 10 psig is  $(67.5 \text{ cfm} \times 100\text{ug/l}) / (\text{Vol. of air})$ , For the 2' at 90 fpm or 130 cfm, one nozzle @ 10 psig is  $6,750 / 130 \text{ cfm} = 52 \text{ ug/l}$ . For the 3' at 90 fpm or 200 cfm, one nozzle @ 10 psig is  $34 \text{ ug/l}$ . For the 4' at 90 fpm or 265 cfm, one nozzle at 10 psig is  $26 \text{ ug/l}$ . For the 5' at 90 fpm or 215 cfm, one nozzle at 10

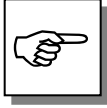
psig is 31 ug/l. For the 6' at 90 fpm or 260 cfm, one nozzle at 10 psig is 26 ug/l. Note 5' and 6' use two filters.

3. **Mineral oil** (Catalog #1491400).
4. **Sampling Nozzle, Rectangular** 1/2" x 3-1/4", Air Techniques, Inc.

### Procedure

#### For the ATI 2G Photometer

1. Turn on the photometer and allow it to operate for a minimum of 5 minutes. Leave the valve in the "CLEAR" setting.
2. Press the "ENTER" keypad. Press the "REF" keypad.
3. The display will display "P1" for approximately 1 second, and then display a numerical value.
4. Using the "^" or "v" keypads, respectively, increase or decrease the numerical value until it equals 52 (2'), 34 (3'), 26 (4'), 31 (5'), 26 (6') for the enclosure at 90 fpm inflow velocity.
5. Press the "ENTER" Keypad. The photometer will scan for 15 seconds, and then the "0" keypad will flash. Press the "Enter" keypad. The unit will scan for 5 seconds, the display will read "0000," and the unit will sound a confirming tone.
6. Set the valve to "DOWNSTREAM." Place the palm of your hand over the sampling port of the pistol. There should be a strong vacuum at this port. If the vacuum is weak, contact Air Techniques Hamilton Associates.
7. Turn the enclosure on and let it operate for a minimum of 5 minutes.
8. If necessary, adjust the speed control of the enclosure to maintain the following airflows at 90 fpm; 2' (130cfm), 3' (200 cfm, 4' (265 cfm.), 5' (215 cfm), 6' (260 cfm). The 5' and 6' uses two filters.
9. Position the aerosol generator discharge in the intake of the baffle inside the enclosure.
10. Start the aerosol generator (Pressure to be +/- 1 psig). (10 psig). Ensure that one Laskin nozzle is in the "open" position.
11. Allow the generator to operate for a minimum of 15 seconds. For all integral motorized impeller models, scan the downstream exhaust side of the HEPA filter by passing the sampling nozzle of the gun in slightly overlapping strokes over the entire surface the filter, with the sampling port not more than 1 inch from the surface of the filter media. Scan the entire periphery of the filter and the gasket between the filter frame and the enclosure frame. Scanning shall be done at a traverse rate of not more than 2 inches per second.



FOR THE XPert FILTERED BALANCE STATION, PLACE THE SAMPLING NOZZLE IN THE CENTER OF THE REMOTE BLOWER EXHAUST.

**Note:** For Dual HEPA Filter Leak Test, refer to 5249001 Test Procedure that uses 5242401 DOP Test Kit for Dual HEPA Filters. See Appendix F.

### **Acceptance**

Aerosol penetration shall not exceed 0.01 percent measured by the photometer.

## **Setting the Inflow Face Velocity with the Speed Control Adjustment**

### **XPert Filtered Balance System**

1. Remove the front panel by loosening the (2) Phillips screws on top that secure the front panel.
2. The speed control is located on the electrical subassembly located behind the switched control panel and below the front panel. See Figure 6-1.
3. Adjust the speed control with a small Phillips screwdriver by turning the screw counterclockwise to increase blower speed or clockwise to decrease the blower speed. The speed control is very sensitive, so proceed with caution.
4. Measure the inflow velocity per the averaging technique outlined in Chapter 3 and adjust the speed control slowly for the desired speed. Allow the speed to stabilize and re-measure the inflow velocity to confirm.
5. Replace the front panel and tighten the screws.

## **Calibrate and Operate the Airflow Monitors**

### **Option**

#### **Guardian Airflow Monitor (LED Monitor)**

Refer to Figure 6-2 for operation and calibration.

#### **Labconco Airflow Monitor/Airflow Switch Operation**

The Guardian Airflow Monitor (LED) consists of a circuit board and an airflow switch. This switch indicates airflow as safe or low. It does not provide an actual face velocity, but a small setscrew in the back of the sensor can adjust the airflow level that it classifies as “good/safe” or “low/alert.”

The circuit board provides power to the sensor and also contains a “safe (green)” and “alert (red)” airflow LED indicators, as well as a “SILENCE ALARM” button to quiet the audio alarm. When first powered up, the PCB will light both red and

green LED indicators and sound the alarm to indicate it is working. After 5 seconds, the air monitor will indicate either good or bad airflow based on what the connected airflow switch detects. For low airflow, the unit will wait for 10 seconds of bad indications before it sounds both the audio alarm and the red “alert” LED indicator. If the “SILENCE ALARM” button is pressed, the audio alarm will be silenced, but the red “alert” LED will remain on. The alarm is silenced indefinitely unless an airflow change is detected. If safe airflow is later detected for 10 seconds, the green “safe” LED will be lit and the “alert” (red) LED will be shut off. At any time the airflow is safe/good, one can press the SILENCE ALARM test button and the audio alarm and the red LED will turn on as long as this button is held down. The PCB has also a two-pin connector for use as an external output with isolated relay contacts that close when the red/alert LED is lit (low airflow). These relay contacts are not affected by the “SILENCE ALARM” button.

The PCB is mounted behind the front panel using standoffs and an appropriate label is used to highlight the “SILENCE ALARM” button with clear areas for the red and green LED’s. No holes to allow sound to be broadcast louder are necessary.

The PCB can be prepared as a factory special with an additional connector for the following external inputs, and having the following possible functions:

- External Alarm allows an external signal to sound the alarm, such as a sash open switch, or a “fail” signal from the building airflow system.
- Alarm Disable allows an external signal to prevent a “low” airflow alarm from occurring.
- Night Setback allows an external signal to prevent a “low” airflow alarm from occurring (not any different from Alarm Disable above other than the terminology.)

Contact Labconco for ordering information on this special PCB.

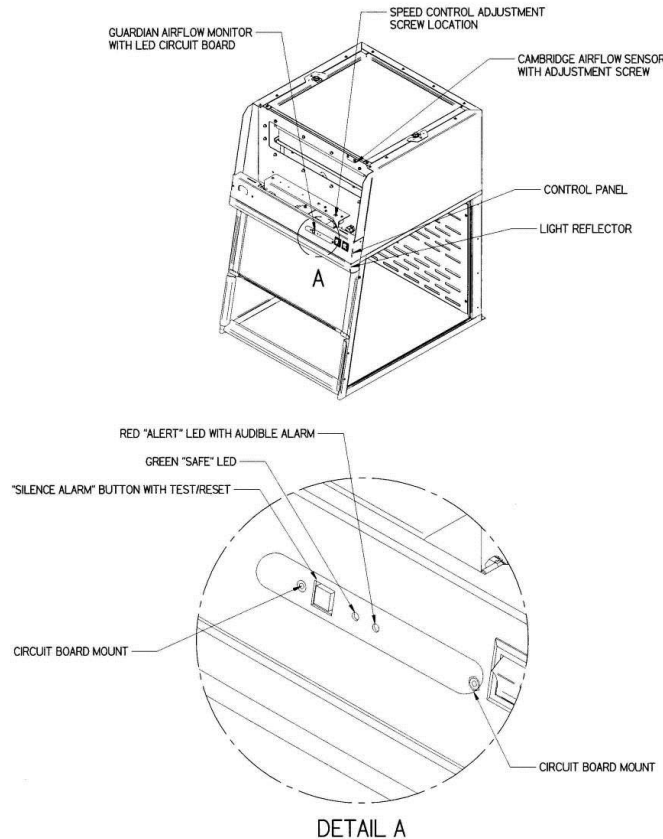
### **Calibration**

1. Ensure the flow switch and alarm circuit board are installed and operational.
2. Allow the enclosure to operate for at least two minutes.
3. If factory installed, the monitor will alarm at  $60\pm 10$  fpm with the inflow velocity set at  $90\pm 10$  fpm.
4. To change the factory setting, set the inflow velocity required by your Safety Officer to the desired alarm condition using the speed control adjustment procedure outlined in Chapter 6.
5. Once the alarm condition is set, use a small screwdriver to turn the adjustment screw on the airflow switch counterclockwise (facing the screw) until the “low” airflow red LED lights and the audible flow alarm sounds.

## Chapter 6: Maintaining Your Filtered Enclosure

6. Adjust the inflow velocity to the nominal operating point required by your Safety Officer.
7. Over time the HEPA filter will load and eventually slow the inflow velocity. Once the alarm condition is met, simply increase the speed control outlined in Chapter 6 or replace the HEPA filter if the speed control is maximized.
8. The table below lists typical alarm conditions based on normal operating conditions. Typical alarm conditions are set at face velocities of 10 to 30 feet per minute below the normal operating conditions due to supply air and exhaust air fluctuations, as well as room air cross drafts. Consult your Safety Officer for proper operating speeds.

Enclosure Operating In-Flow Speed	Alarm Condition Set Point Speed
100 ± 10 fpm	70-90 fpm
90 ± 10 fpm	60-80 fpm
80 ± 10 fpm	50-70 fpm
70 ± 10 fpm	50-60 fpm
60 ± 10 fpm	50 fpm



**Figure 6-2**  
**Guardian Airflow Monitor (LED) with Airflow Switch**

## Guardian Digital 1000 Airflow Monitor

### Option

Refer to Figure 6-3 for operation and calibration. Refer to the separate Labconco 1000 Alarm Manual for detailed information.

### Operation

The Guardian Digital Airflow Monitor consists of the airflow sensor, the Alarm Unit, and the 15 VDC power supply. For 115V operation the alarm unit is powered by plugging the power supply into the factory-prepared digital airflow monitor socket. For 230V operation, the Alarm Unit is powered by plugging the power supply into a building outlet. The alarm has “Enter,” “+,” and “-” buttons to program the monitor. There is also a green LED “SAFE,” yellow LED “CAUTION,” and red LED “LOW” with audible alarm for airflow conditions. The audible alarm can be permanently muted if desired. The Guardian Digital 1000 Airflow Monitor displays a face velocity value, provides an RS232 communications port to a PC or building computer system, can be configured for external input connections such as night setback or external alarm and provides up to three output relays that can be configured. For complete detailed information, please refer to the separate Labconco 1000 Alarm User’s Manual provided with the enclosure.

### Calibration

The filtered enclosure comes factory calibrated with the monitor alarm at  $60 \pm 10$  fpm with the inflow velocity set at  $90 \pm 10$  fpm.

## Programming the Guardian 1000 Digital Alarm

Set the desired face velocity of the enclosure with the sash in the down position using an average face velocity of readings from a thermal anemometer.

- a. 2 ft enclosure – 2 readings
- b. 3 ft enclosure – 3 readings
- c. 4 ft enclosure – 4 readings

### Configure Alarm

To successfully calibrate the airflow monitor, it will be necessary to change the face velocity by adjusting the airflow exhaust volume. The exhaust volume can be adjusted using the speed control located behind the front panel on the XPert Filtered System. For the XPert Filtered Station, the exhaust volume is adjusted through a damper in the building exhaust system.

The following inflow face velocity speeds are recommended to successfully calibrate. To begin, determine what the low airflow, low warning airflow, normal airflow, and high airflow shall be.

<b>Low Air Alarm Set Point (user defined)</b>	<b>Enclosure Operating Inflow Speed</b>	<b>Low Calibration Set Point (user defined)</b>	<b>High Calibration Set Point (user defined)</b>
40 – 50 fpm	60 fpm	40 – 60 fpm	100 – 120 fpm
60 – 70 fpm	80 fpm	50 – 90 fpm	100 – 150 fpm
80 - 90 fpm	100 fpm	50 – 110 fpm	100 – 170 fpm

NOTE: ENTER button stores information  
+/- Buttons allow for scrolling.

1. Push the ENTER button on the face of the alarm until the Set up Menu is displayed.
2. Scroll to SET UP and hit ENTER.
3. The PASSWORD MENU displays (The Password is 0000). Press the ENTER button repeatedly until the CAL CONFIG MENU is displayed.
4. In the CAL CONFIG MENU set for the following:

<b>CALIBRATION CONFIG MENU</b>	<b>SETTINGS</b>
DISPLAY UNITS	FPM
LOW AIR ALARM	SEE CHART ABOVE – LOW AIR ALARM
LOW AIR CUTOFF	OFF
LOW AIR CUTOFF	SEE CHART ABOVE – LOW AIR ALARM
WARNING AIR ALARM	SEE CHART ABOVE – LOW CALIBRATION SET POINT (Set 3-5 FPM above low air alarm)
WARNING AIR RESET	3 FPM
HIGH AIR ALARM	OFF
HIGH AIR ALARM	OFF
LOWER AIR SAMPLE FLUCTUATIONS	3%
HIGHER AIR SAMPLE FLUCTUATIONS	3%
LOWER/HIGHER AIR SAMPLE DIFFERENCE	10 FPM
WARN TO ALARM AIR TIME	10 SECONDS
ALARM TO WARN AIR TIME	3 SECONDS
SHOW AIR FLOW	ON
SHOW TIME LINE OFF = DISPLAYS BAR GRAPH	OFF
AUDIBLE ALARM	ENABLED
SENSOR DIFFERENCE	2%
SENSITIVITY	80%

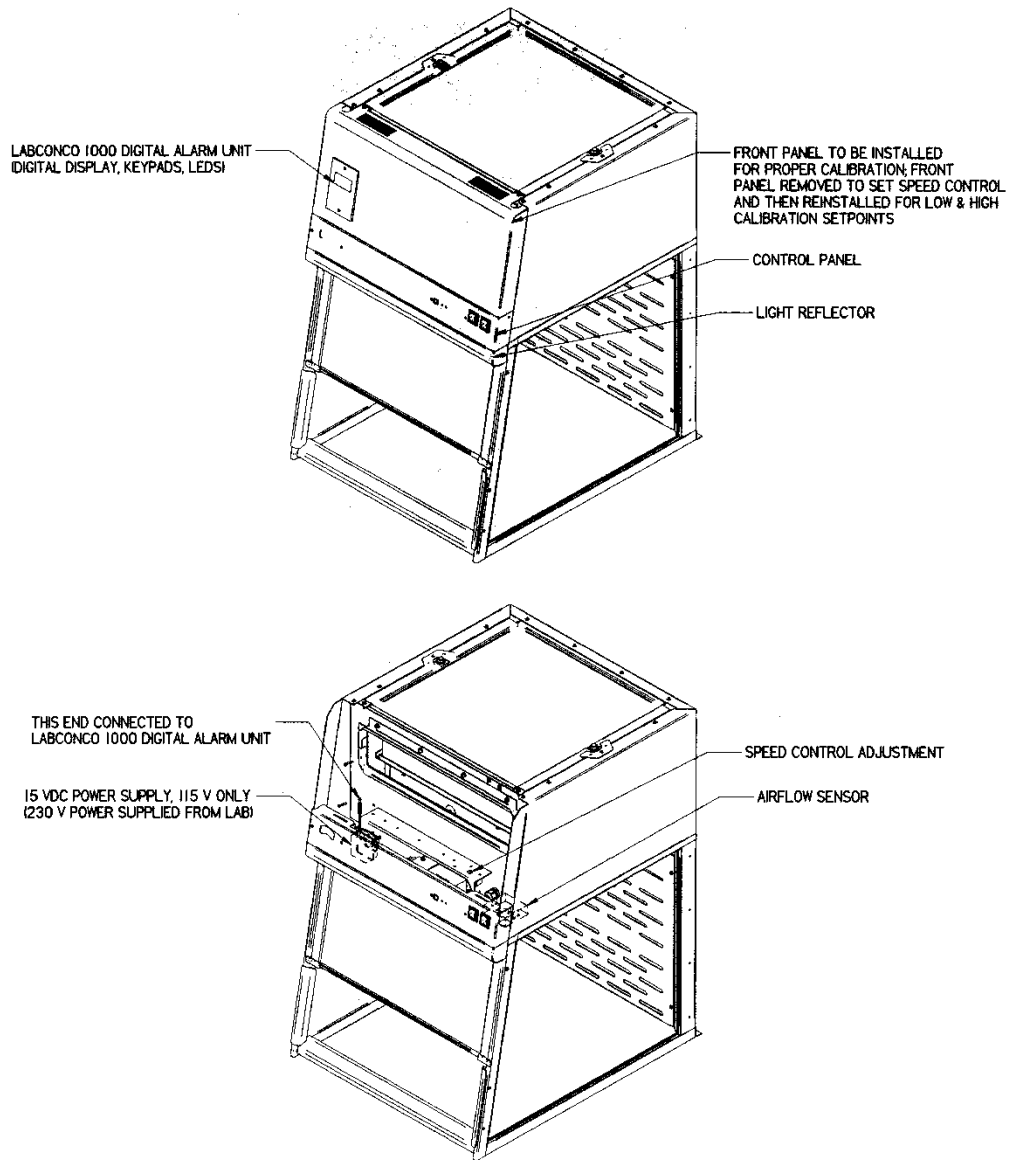
5. To complete the CAL CONFIG, be sure to enter “DONE”. You are returned to the Main Menu.



## Calibrate Alarm

1. Scroll to set up and hit ENTER, then CALIBRATE and hit ENTER.
2. The PASSWORD MENU displays (The Password is 0000). Press the ENTER button repeatedly until the next menu is displayed.
3. Adjust the speed of the fan until the low airflow velocity is reached. Use your thermal anemometer readings to determine the low air velocity.
4. Enter the value of your low airflow velocity using your +/- scroll keys. Be sure the front panel is installed. Step out of the way, wait approximately 30 seconds for air currents to settle and hit ENTER. The airflow alarm will sample the airflow.
5. Adjust the speed of the fan until the high airflow velocity is reached using the readings from the thermal anemometer. Then re-install the front panel, if so equipped.
6. Enter the value of your high airflow velocities. Be sure the front panel is installed. Step out of the way, wait approximately 30 seconds for air currents to settle and hit ENTER. The airflow alarm will sample the airflow.
7. The set up menu is displayed. Select DONE and hit ENTER.
8. The main menu will be displayed. Select RUN and hit ENTER.

You have successfully configured and calibrated your Guardian 1000 Digital Airflow Monitor.



**Figure 6-3**  
**Guardian Digital 1000 Airflow Monitor**

## Determination of When and How to Replace Odor Control Carbon Filters

The carbon filters **MUST** be replaced when any one of the following two conditions are met:

1. The filtered enclosure outlet (exhaust) concentration approaches the inlet concentration, indicating filter saturation.
2. The odor in the work area becomes intolerable or the concentration of the chemical in the work area is greater than the TWA.

There are four means of determining when its time to change the carbon filters (not shown in the order of preference).

**Odor** - A person's sensitivity to odor, tolerance of odor and their comfort level under odoriferous conditions vary with the individual. While odor is an indicator that chemicals are passing through the carbon filter, several points need to be understood:

- Odor within the room is not necessarily an indication of saturation or hazardous exposure concentrations.
- Odor can be used as a prompt to sample the chemical concentration on the exit side of the carbon filter.
- Organic chemicals approved for use in the filtered enclosure have odors that are detectable before reaching the time weighted exposure limits.

**Detection Tubes** - Color change indicators can be used to measure the concentration of the chemical at the exit side of the carbon filter or in the outlet exhaust. A kit including syringe pump and flexible tubing can be purchased as an accessory from Labconco (Catalog # 6924900). Labconco Customer Service Representatives are supplied with detector tube catalog numbers, as well as telephone numbers to direct you to where to purchase these items.

For Organic, Formaldehyde and Ammonia, chemical specific detector tubes should be purchased when installing fresh filters. Each kit contains instructions on how many strokes of the syringe are required to obtain the stated sensitivity. The sampling syringe is connected to the filtered enclosure exhaust. Connect the syringe to the detector tube while the system is running and pull the air through the tube with the syringe. Each stroke of the syringe represents a 100-ml sample and corresponds to the number of strokes necessary to give the indicated color changes. Due to the wide variety of organics and varying TWA's, it is recommended that specific detector tubes be purchased directly from Sensidyne, Draeger or your laboratory supply dealer. Alternate detector pumps can also be purchased from your laboratory supply dealers.

The vast majority of detector tubes available start measuring at the TWA. When a user observes a color change in the tube, they should replace the filter immediately. If no detector tube for your specific chemical is available, other means of detection must be used.

**Time** - For applications that have very consistent inlet concentrations and operating time, “Time” can be used to anticipate saturation or TWA levels based on prior experience. However, this does not replace the need for sampling. Consult Labconco technical specialist for an estimate of carbon filter life based on chemical usage. Detector tubes, or analytical instrumentation should **always** be used to determine concentrations in the carbon filter. It is recommended that the carbon filters be checked with detector tubes or other means at intervals of 20% of the total estimated filter life. The exception to the 20% recommendation is formaldehyde and any carcinogen or suspected carcinogen. These more hazardous chemicals must be checked at least every 10% of the total estimated time.

**Analytical Instrumentation** - This is the most accurate means of measuring concentrations of any chemical. It is the method of choice when no detector tubes are available or the tubes are not sensitive enough to measure at the TWA concentration for the chemical. This method is also to be used to determine saturation when the chemical concentration is below the measurement range of detector tubes.

**Odor Control Carbon Filter Replacement Procedure** – See Figures 4-1 and 4-2 for Carbon Filter Replacement.

1. The carbon filters are replaced by first removing the two screws, which hold the clips to secure the upper diffuser screen. Remove the screws, clips and upper diffuser screen.
2. Remove the carbon filter in a careful way to avoid the flow switch and HEPA filter.
3. Re-install the new carbon filter with the gasket down. Replace the upper diffuser screen, clips and two screws.
4. The weight of the carbon filter with the gasket down will compress the gasket.

### Calculating Odor Control Carbon Filter Life

Labconco developed a modeling program to estimate the filter life for typical carbon filters. Since filter life is dependent on the chemical used, the airflow, filter size, and the dwell time, refer to the Chemical Guide for the Paramount® Filtered Enclosure. The estimated life for Odor Control carbon filters for the filtered enclosures is conservatively calculated at 50% or half of the published values for the Paramount in the Chemical Guide. For example, if you use isopropyl alcohol to disinfect and use approximately 100 ml per week during 2 hours of use per day then follow these steps to calculate the concentration in parts per million (ppm).

## Steps for Calculating PPM and Filter Life

- Determine the amount of the proposed chemical lost to evaporation over a given amount of time. For example, if you use isopropyl alcohol and lose approximately 100 ml per week during 2 hours of use per day.
- Convert the amount lost into ml/min. For this example:  

$$\frac{100 \text{ ml}}{\text{week}} \times \frac{1 \text{ week}}{10 \text{ hours use}} \times \frac{10 \text{ hours}}{600 \text{ minutes}} = \frac{100 \text{ ml lost}}{600 \text{ minutes}} = .17 \text{ ml/min}$$
- Convert ml/min to PPM by multiplying ml/min by the conversion factor found in the second to the last column on the right. For isopropyl alcohol  $.17 \times 41 = 7.0 \text{ PPM}$ .
- Find the PPM value on the chart that comes closest to the value you just calculated in step #3. In this example, round up to 10 PPM, which is close to the calculated 7.0. We may approximate the filter life to be around 155 hours of actual use, but use 50% of this for the Odor Control filters or 78 hours.
- Insert the estimated filter life into the estimated usage to determine how long filters will last.

$$\frac{78 \text{ hours filter life}}{10 \text{ hours per week use}} = 7.8 \text{ weeks before filter saturation}$$

### Formaldehyde only

For formaldehyde, use 10% of the impregnated carbon weight. Formalin is 37% formaldehyde by weight. The density of formalin is 1.08 g/ml.

Model Size	Filter Size	Pounds of Formasorb Carbon	Adsorbed weight of Formaldehyde	Adsorption Volume of Formalin
2'	18 x 18 x 1	7.0	0.7 lbs./318g	796 ml
3'	30 x 18 x 1	12.0	1.2 lbs./545g	1364 ml
4'	42 x 18 x 1	16.8	1.68 lbs./763g	1910 ml
5' (2 ea.)	24 x 18 x 1	19.0	1.9 lbs./858g	2148 ml
6' (2 ea.)	30 x 18 x 1	24.0	2.4 lbs./1085g	2716 ml

### Ammonia only

For ammonia, use 10% of the impregnated carbon weight. Assume use of a 50% solution of ammonia for these calculations.

Model Size	Filter Size	Pounds of Ammonasorb II Carbon	Adsorbed weight of Ammonia	Adsorbed Volume of 50% Ammonia Solution
2'	18 x 18 x 1	9.2	0.92 lbs./418g	836 ml
3'	30 x 18 x 1	13.5	1.35 lbs./613g	1226 ml
4'	42 x 18 x 1	18.9	1.89 lbs./859g	1718 ml
5' (2 ea.)	24 x 18 x 1	21.4	2.14 lbs./967g	1934 ml
6' (2 ea.)	30 x 18 x 1	27.0	2.71 lbs./1220g	2440 ml

## Initial Certification

The filtered enclosure has been certified at the factory for an inflow velocity of  $90\pm 10$  fpm along with the HEPA Filter Leak Test. The filtered enclosure should be certified for the proper inflow velocity required by your Safety Officer. It is also a conservative recommendation to perform the HEPA Filter Leak Test again should there be any damage caused during transport.

## Re-Certification

Under normal operating conditions, the enclosure should be recertified at least annually if serviced. The certifier should perform the following tests.

- Inflow Velocity Test
- HEPA Filter Leak Test

In addition, the following tests should also be performed at the user's discretion:

- Measure of Line Voltage and Current
- Smoke Test to determine proper airflow patterns
- Lighting Intensity Test (when appropriate)
- Noise Level Test (when appropriate)
- Vibration Test (when appropriate)

## Fluorescent Light Replacement

1. Disconnect the power.
2. Locate the small light reflector located under the control panel shown in Figure 6-2 and Figure 6-3.
3. Remove the light reflector support by removing two Phillips screws on the bottom of the light reflector.
4. Rotate and remove the old fluorescent lamp.
5. Reinstall the new fluorescent lamp and light reflector in reverse order.
6. Power the unit up and try the new fluorescent lamp.



THE LAMP(S) IN THIS PRODUCT CONTAIN MERCURY

Manage in accordance with local disposal laws. DO NOT place lamps in trash. Dispose as a hazardous waste. For information regarding safe handling, recycling and disposal, consult [www.lamprecycle.org](http://www.lamprecycle.org)

CETTE LAMPE DANS CE PRODUIT CONTIENT DU MERCURE

Éliminez ou recyclez conformément aux lois applicables. Pour de l'information concernant des pratiques de manipulation sécuritaires et l'élimination sécuritaire et le recyclage, veuillez consulter [www.lamprecycle.org](http://www.lamprecycle.org)

## LED Light Replacement

1. Follow instructions for fluorescent lights above, but replace with direct replacement LED T8 bulbs. Only LED sizes available are for 3', 4', and 5' enclosure widths. See Appendix A for ordering replacements.

## Motorized Impeller Replacement XPert Filtered Balance System

The motorized impeller must be replaced as a complete unit. When the motorized impeller is replaced, the capacitor may also be replaced. See Appendix A for Replacement Parts Diagram. See Figure 6-5 for an isometric view of the motorized impeller plenum assembly. The HEPA filter rests on top of the motorized impeller assembly.



**Do NOT contact blower wheel while still in motion.**

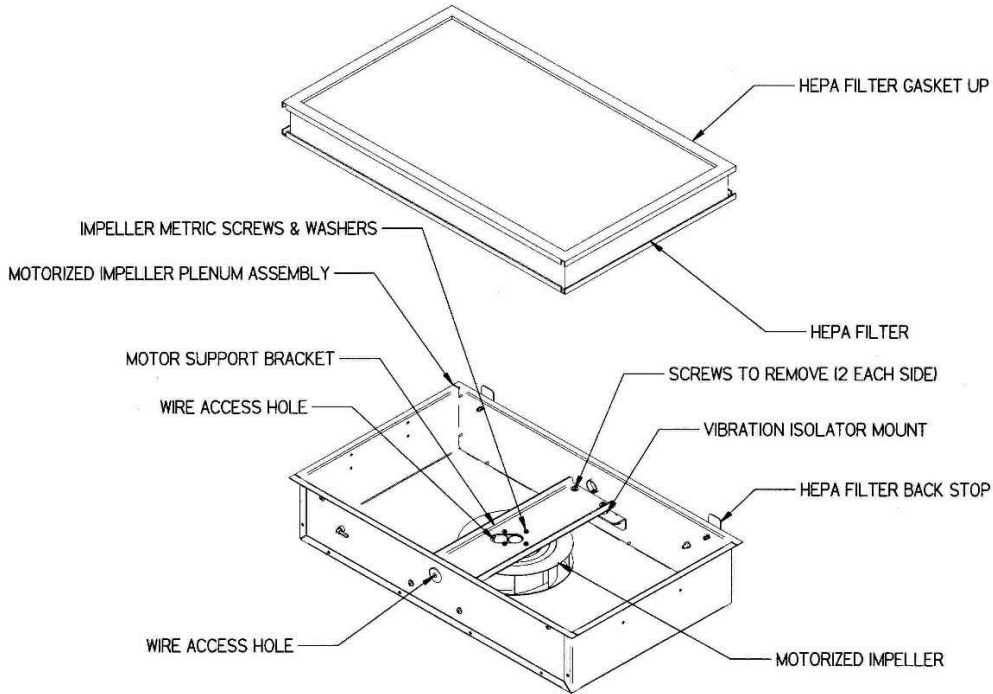
**NE PAS être en contact avec la roué du ventilateur tant qu'il est en marche.**

1. Wear appropriate personal protective equipment to decontaminate the filtered enclosure and then unplug from the electrical outlet.
2. Remove HEPA filter per the HEPA filter removal procedure outlined in this chapter.
3. Consult the wiring diagram in Appendix C of the manual and disconnect all the wires of the motorized impeller. Be sure to connect wires on the new motor in the same way the old motor was wired.
4. Remove four screws in the motor bracket that hold motor bracket to the supports with the vibration isolation mounts. Remove the motor and bracket.



**ATTENTION: High-speed blower. Never operate impeller with housing off.**

5. Replace the capacitor with a new one of equal voltage and capacity.
6. Reassemble the new motorized impeller by reversing the assembly steps.



**Figure 6-4**  
**Motorized Impeller Replacement**

## Speed Control Replacement XPert Filtered Balance System



**Do NOT contact blower wheel while still in motion.**

**NE PAS être en contact avec la roué du ventilateur tant qu'il est en marche.**

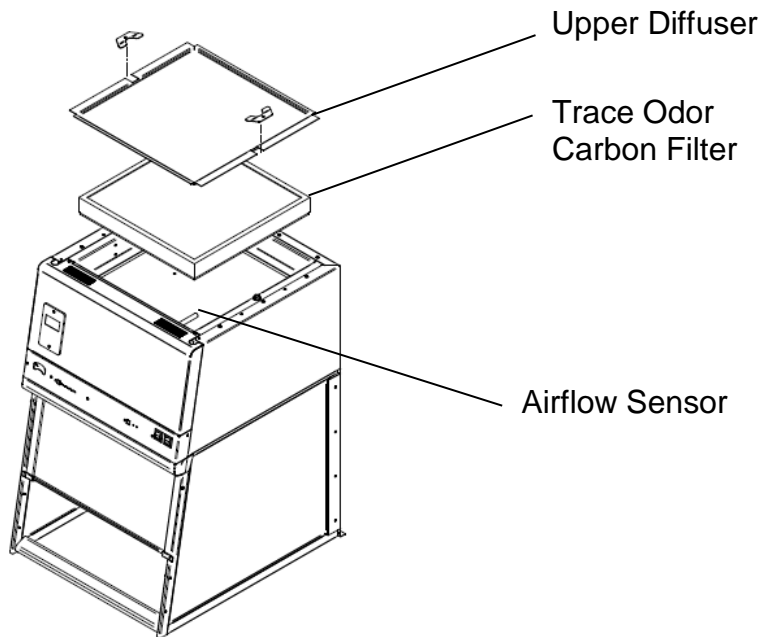
1. Remove the bracket that the speed control is attached to. See Figures 6-1, 6-2 and 6-3.
2. Remove the two screws holding the speed control using a Phillips screwdriver. Refer to Appendix A for Replacement Parts Diagram.
3. Disconnect all wires leading to the speed control. Connect wires on new speed control in the same position as the old speed control.
4. Reassemble to the system in the same position and with the same screws that were removed earlier.



## Trace Odor Carbon Filter Installation

In the event that low volumes of solvents are required, a Trace Odor Carbon Filter can be installed.

1. Remove the screws (2) located on each side of the upper diffuser.
2. Lift and remove the upper diffuser.
3. Place the Trace Odor Carbon Filter on top of the HEPA filter with the gasket-side DOWN. Use care when maneuvering past the airflow sensor. Be careful not to harm the HEPA filter media that is exposed.
4. Replace the upper diffuser
5. Replace all screws.



---

# Chapter 7:

## Accessorizing Your Filtered Enclosure

There are several ways to accessorize and modify the filtered enclosure for your individual requirements. These include the addition of accessory work surfaces, airflow monitors; exhaust transition kits, remote blowers, exhaust dampers, filters, storage cabinets and utility shelf kit.

### 1. Work Surfaces

An optional work surface is available to attach to the filtered enclosure.

The work surfaces are contoured to fit the dimensions of the filtered enclosures to contain spills. See Figure 3-1 for installation.

Catalog #	Description	Dimensions (W x D x H)
3909900	Black, 2-foot wide, Epoxy	24" x 29" x 1"
3909901	Black, 3-foot wide, Epoxy	36" x 29" x 1"
3909902	Black, 4-foot wide, Epoxy	48" x 29" x 1"
3909903	Gray, 2-foot wide, Epoxy	24" x 29" x 1"
3909904	Gray, 3-foot wide, Epoxy	36" x 29" x 1"
3909905	Gray, 4-foot wide, Epoxy	48" x 29" x 1"
3909906	Black, 4' (Deep) Epoxy	48" x 35.5" x 1"
3909907	Black, 5-foot wide, Epoxy	60" x 29" x 1"
3909908	Black, 5' (Deep), Epoxy	60" x 35.5" x 1"
3909910	Black, 6-foot wide, Epoxy	72" x 29" x 1"
3909911	Black, 6' (Deep), Epoxy	72" x 35.5" x 1"
3970602	2' Stainless w/ Trough	24" x 29" x 0.8"
3970603	3' Stainless w/ Trough	36" x 29" x 0.8"
3970604	4' Stainless w/ Trough	48" x 29" x 0.8"
3975502	5' Stainless w/ Trough	60" x 29" x 0.8"
3975503	5' (Deep) Stainless w/ Trough	60" x 35.5" x 0.8"
3975602	6' Stainless w/ Trough	72" x 29" x 0.8"
3975603	6' (Deep) Stainless w/ Trough	72" x 35.5" x 0.8"

**2. Guardian™ 1000 Digital Airflow Monitor or Guardian™ LED Airflow Monitor**

The Guardian Digital 1000 Airflow Monitor or Guardian LED Airflow Monitor allows you to continuously monitor airflow through the enclosure. Either monitor is usually provided with the XPert enclosures.

Description	Order Part #'s	Individual Parts Required
<b>Guardian Airflow Monitor 115V or 230V</b>		
1 ea.	3811500	Airflow Monitor Printed Circuit Board
1 ea.	3910700	Airflow Sensor w/ Connector
2 ea.	1885405	#6-32 x .31" Phillips machine screw to mount Airflow Monitor Circuit Board
2 ea.	1891808	#6-32 x .50" Phillips thread cutting screw to mount Airflow Sensor
<b>Guardian Digital 1000 Airflow Monitor 115V or 230V</b>		
1 ea.	3908500 or 3908501	115V or 230V Guardian Digital Monitor, Airflow Sensor, Sensor Cable, and 15 VDC power supply
1 ea.	7907802	Outlet Assembly, 125V w/male terminals
1 ea.	3926800	Label, Set – XPert Filtered Balance Systems & Stations
2 ea.	1910308	Lockwasher, Int. Star, Acid Resist. (Various Sizes)
2 ea.	1885616	Screw, Machine, 6-32 x 1, Oval (F), Phillips, Zinc, Black
2 ea.	1889406	Screw, Machine, 8-32 x 3/8, Pan, Phillips, Steel, Zinc

**Add appropriate Front Panel with cutout to mount Digital 1000 Airflow Monitor**

1 ea.	3904803	2' Front Panel w/ cutout
or		
1 ea.	3904804	3' Front Panel w/ cutout
or		
1 ea.	3904805	4' Front Panel w/ cutout

**NOTE:** The cutout can also be made with a reciprocating saw and a 1/8" diameter bit. The centerline of the cutout is located 3.3" from the left side and 4.2" from the bottom. The 1/8" mounting holes are spaced 4.38" apart top to bottom and centered over the cutout. The cutout dimensions are 2.43" wide by 4.13" tall.

**3. Canopy Exhaust Connection for Ducting to Outside**

Canopy Exhaust connects to the XPert Filtered Balance System with integral motorized impellers from the top so the duct can be routed up and outside the building. The Canopy Exhaust is available for 6" nominal duct on 2', 3' and 4' sizes and 10" nominal duct on 5' and 6' sizes. A 5" Canopy Exhaust is available to duct to a FilterMate Portable Exhauster. The Canopy Exhaust Connection should be sealed to the top of the enclosure with silicone sealant to prevent leaks. See Figure 3-3 and Figure B-3.

Order the following:

Part	Description
3924400	2' Canopy Exhaust Connection (6")
3924401	3' Canopy Exhaust Connection (6")
3924402	4' Canopy Exhaust Connection (6")
3924403	5' Canopy Exhaust Connection (10")
3924404	6' Canopy Exhaust Connection (10")
3924405	2' Canopy Exhaust Connection (5") – to FilterMate
3924406	3' Canopy Exhaust Connection (5") – to FilterMate
3924407	4' Canopy Exhaust Connection (5") – to FilterMate
3924410	2' Canopy Exhaust Connection Double HEPA (6")
3924411	3' Canopy Exhaust Connection Double HEPA (6")
3924412	4' Canopy Exhaust Connection Double HEPA (6")
3924413	5' Canopy Exhaust Connection Double HEPA (10")
3924414	6' Canopy Exhaust Connection Double HEPA (10")

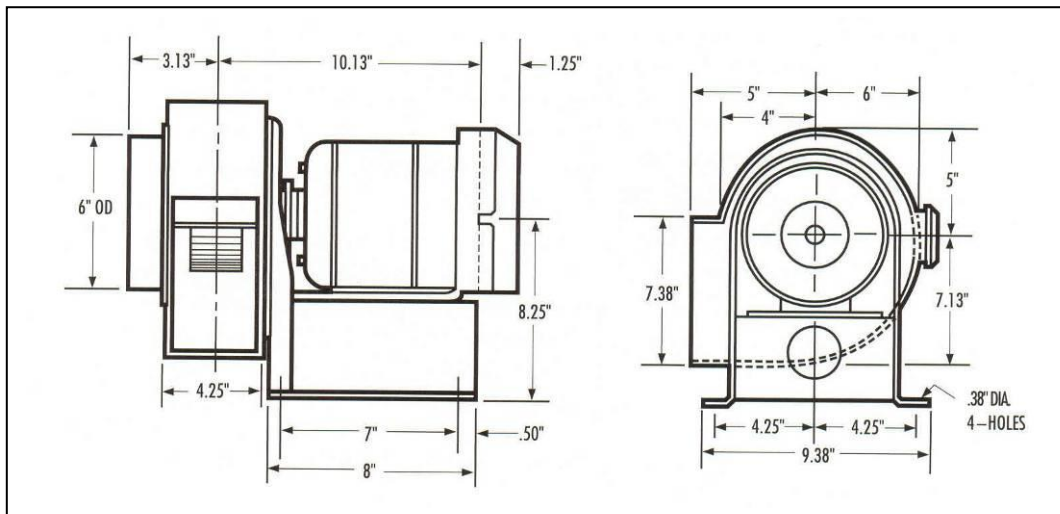
Note – 39712xx, 39713xx & 39714xx Systems come with 6" Canopy Connection Factory Installed

**4. Remote Blowers**

Has a 1/4 hp direct drive motor and corrosion-resistant epoxy-coated steel housing and wheel with blower inlet of 6.00" ID. Outlet dimensions are 4.25" x 7.38" OD.

CFM @ Static Pressure-Inches of H <sub>2</sub> O						
S.P.	0.0"	0.125"	0.25"	0.50"	0.75"	0.87"
CFM	595	560	515	420	300	167

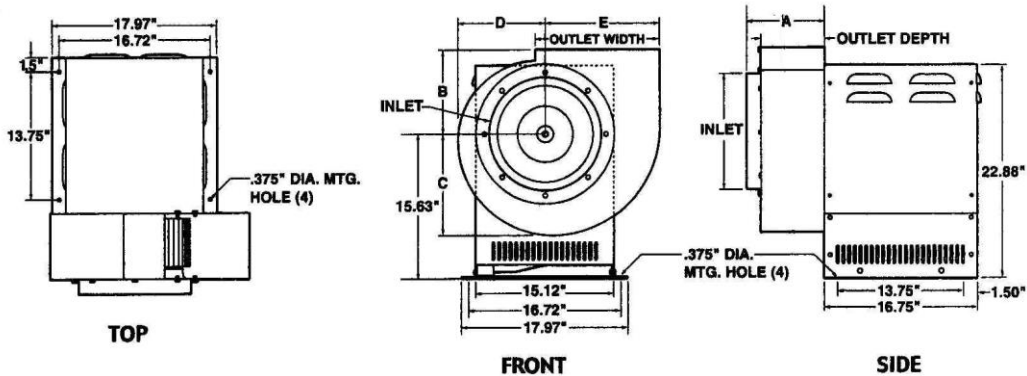
Catalog #	Description	Shipping Wt. (lbs./kg.)
4863500	Remote Blower, 115 V, 60 Hz. 4.4 amps	35/16
4863501	Remote Blower, 115/230 V, 50 Hz, 5.6/2.8 amps	35/16
7053501	Explosion-Proof Remote Blower, 115 V, 60 Hz, 4.4 amps	40/18



**Figure 7-1**  
(for 4863500, 01 and 7053501 only)

Has a 1/4 hp or 1/3 hp adjustable belt drive motor and corrosion resistant epoxy coated steel housing and wheel with blower inlet of 10" ID. Outlet dimensions are 5.5" x 10" OD.

Catalog #		HP	Description	CFM@RPM Ranges at Static Pressure (inches of H <sub>2</sub> O)						
Std.	EP			.25"	.38"	.50"	.62"	.75"	.88"	1.00"
7068200		1/4	Remote Blower, 115V, 60 Hz, 4.4 A	540@800	410@800	350@870	390@970			
	7068300	1/4	Explosion Proof Blower 115V, 60 Hz, 4.5 A	720@950	760@1050	710@1060	620@1060			
7068400		1/3	Remote Blower, 115V, 60 Hz, 6.1 A		760@1050	710@1060	620@1060	430@1060	460@1150	500@1220
	7068500	1/3	Explosion Proof Blower, 115V, 60 Hz, 6.4 A		850@1130	825@1160	790@1190	770@1220	740@1260	640@1260



**NOTE:** For other multi-speed blowers with a broad range, use Intelli-Sense Blowers. Contact Labconco.

**Polypropylene Remote Blowers for XPert Stations**

Required when ducting the XPert Station (unless connected to house exhaust or the FilterMate Portable Exhasuters). Direct drive motor blower. See Polypropylene Remote Blowers Flyer for specifications.

Catalog #	HP	Electrical Requirements	Shipping Wt. lbs./kg
4863502	1/4	230 volts, 60 Hz, 9 amps, 3 phase	40/18
4863503	1/4	230 volts, 50 Hz, 9 amps, 3 phase	40/18
4863504	1/2	230 volts, 60 Hz, 9 amps, 3 phase	45/20
4863505	1/2	230 volts, 50 Hz, 9 amps, 3 phase	45/20

		CFM @ Static Pressure – Inches of H <sub>2</sub> O							
	S.P.	0.25"	0.50"	0.75"	1.00-2.00"	2.50"	3.00"	3.50"	4.00"
4863502, 4863503	CFM	50-200	50-350	50-350	50-350	100-250	100-150	-----	-----
4863504, 4863505	CFM	-----	-----	600	100-600	100-600	100-500	100-400	100

**5. Exhaust Dampers**

Exhaust dampers allow adjustments required to maintain proper airflow for roof-mounted blowers or house exhaust systems. This would primarily be useful only for the XPert Filtered Balance Station, which does not have an integral blower. The 2', 3', and 4' stations use 6" and the 5' and 6' stations use 10".

Catalog #	Description
3924000	6" Epoxy Coated Steel In-Line adjustable damper
4724200	6" PVC In-line adjustable damper
5983400	10" PVC In-line adjustable
3776800	10" Airtight Damper (10" tall)

*Note – 39712xx, 39713xx & 39714xx Systems come with 6" Exhaust Damper (3924000)*

**6. Accessory Filters**

**HEPA Filters**

HEPA Filter is 99.99% efficient on particles 0.3 micron and 5' and 6' have two each. PLEKX Filter is 99.97% efficient on particles 0.3 micron in size with small amount of carbon for trace odors.

Width	HEPA Catalog #	Size	PLEKX Catalog #	PLEKX Carbon
2'	3707900	18" x 18" x 3.31"	3707904	1.7 lbs.
3' or 6'	3707901	30" x 18" x 3.31"	3707905	2.9 lbs.
4'	3707902	42" x 18" x 3.31"	3707906	4.0 lbs.
5'	3707903	24" x 18" x 3.31"	3707907	2.3 lbs.

**ULPA Filters**

ULPA filter is 99.999% efficient on particles 0.12 micron in size.

Width	Catalog #	Size
2'	3885700	18" x 18" x 3.31"
3' or 6'	3885701	30" x 18" x 3.31"
4'	3885702	42" x 18" x 3.31"
5'	3885703	24" x 18" x 3.31"

**Bag Kit, HEPA Filters Bag-In/Bag-Out**

The bag helps contain hazardous particulate matter during filter changing operations. The 5' and 6' have two each.

Width	Catalog #	Size
2'	3776023	48" Circum. x 54" lg.
3' or 6'	3776024	73" Circum. x 96" lg.
4'	3776025	96" Circum. x 96" lg.
5'	3776026	60" circum. x 72" lg.

**Odor Control Carbon Filters**

Provides granular activated carbon or impregnated carbon used for Odor Control applications on integral motorized impeller models exhausted back into the room. The 5' and 6' have two each.

Filter Classification and Size	Catalog #	X Pounds
2' Organic 18 x 18 x 1	3937200	5.5 lbs. activated
3' or 6' Organic 30 x 18 x 1	3937300	9.2 lbs. Activated, 2 required on 6'
4' Organic 42 x 18 x 1	3937400	12.9 lbs. activated
5' Organic 24 x 18 x 1	3981400	7.3 lbs. activated each, 2 required
2' Formaldehyde 18 x 18 x 1	3937201	7.0 lbs impregnated
3' or 6' Formaldehyde 30 x 18 x 1	3937301	12.0 lbs. impregnated, 2 required on 6'
4' Formaldehyde 42 x 18 x 1	3937401	16.8 lbs. impregnated
5' Formaldehyde 24 x 18 x 1	3981401	9.5 lbs. impregnated, 2 required
2' Ammonia & Amines 18 x 18 x 1	3937202	8.0 lbs. impregnated
3' or 6' Ammonia & Amines 30 x 18 x 1	3937302	13.5 lbs. impregnated, 2 required on 6'
4' Ammonia & Amines 42 x 18 x 1	3937402	18.9 lbs. impregnated
5' Ammonia & Amines 24 x 18 x 1	3981402	10.7 lbs. impregnated, 2 required
2' Acid Sulfur	3937203	7.0 lbs. impregnated
3' or 6' Acid Sulfur	3937303	12.0 lbs. impregnated, 2 required on 6'
4' Acid Sulfur	3937403	16.8 lbs. impregnated
5' Acid Sulfur	3981403	7.3 lbs. impregnated, 2 required

### 7. Double HEPA Filtration Kits

For field installation atop XPert Balance Filtered Systems and XPert Bulk Powder Filtered Systems. Provides a second level of HEPA Filtration for added safety to meet USP <800> standards for redundant HEPA Filter in series. Contact Labconco for information on factory-installed second HEPA Filter. Kit includes one HEPA Filter, set of bag and straps for bag-in/bag-out system, and entire metal support system along with instructions for a certifier to follow. Adds 12.9" to height of existing system.

Catalog #	For use with:	Shipping Wt. lbs./kg
3966102	2-ft XPert Filtered Systems	115/52
3966103	3-ft XPert Filtered Systems	135/61
3966104	4-ft XPert Filtered Systems	165/75
3966105	5-ft XPert Filtered Systems & 5-ft XPert Bulk Powder Filtered Systems	250/113
3966106	6-ft XPert Filtered Systems & 6-ft XPert Bulk Powder Filtered Systems	300/136

**Note:** For DOP Test Kit, Order 5242401 and see Appendix F.

### 8. Storage Cabinets

Size/Description	SOLVENT			ACID		
	Dual Doors	Right Hinge	Left Hinge	Dual Doors	Right Hinge	Left Hinge
48"	9902000	-	-	9901000	-	-
36"	9902100	-	-	9901100	-	-
30"	9902200	-	-	9901200	-	-
24"	-	9902300	9902400	-	9901300	9901500
18"	-	-	-	-	9901400	9901600
12"	-	-	-	-	-	-
48" w/Self-Closing Doors	9903000	-	-	-	-	-
36" w/Self-Closing Doors	9903100	-	-	-	-	-
30" w/Self-Closing Doors	9903200	-	-	-	-	-
24" w/Self-Closing Doors	-	9903300	9903400	-	-	-
24" ADA	-	9906000	9906100	-	9905000	9905200
24" ADA w/Self-Closing Doors	-	9906200	9906300	-	-	-
18" ADA	-	-	-	-	9905100	9905300
12" ADA	-	-	-	-	-	-

Size/Description	STANDARD BASE			VACUUM PUMP		
	Dual Doors	Right Hinge	Left Hinge	Dual Doors	Right Hinge	Left Hinge
48"	9900000	-	-	-	-	-
36"	9900100	-	-	-	-	-
30"	9900200	-	-	-	-	-
24"	-	9900300	9900600	-	-	-
18"	-	9900400	9900700	-	9907000	9907100
12"	-	9900500	9900800	-	-	-
48" w/Self-Closing Doors	-	-	-	-	-	-
36" w/Self-Closing Doors	-	-	-	-	-	-
30" w/Self-Closing Doors	-	-	-	-	-	-
24" w/Self-Closing Doors	-	-	-	-	-	-

**9. Utility Shelf Kits and Holders**

Labconco offers a utility shelf kit part number 3925000 consisting of three shelves to hold items inside the enclosure. One shelf may be used for the printer, one shelf for spatulas and weigh brushes, and one miscellaneous shelf. The shelves hang from slots in the rear baffle.

Labconco also offers a 3927700 Bottle Holder with a 3" diameter opening and a 3927800 Tissue Holder to hold a 4.63" x 4.75" box of tissues. These holders also hang from slots in the rear baffle.

**10. 3927400 Adaptor, Round 5"-6", FilterMate Connector**

Connector is used for ducting the XPert Filtered System or XPert Filtered Station with a 6" diameter hose (p/n 3927600) and attaching to the FilterMate Portable Exhauster.

**11. 3927600 Flexible Hose, 6" ID, 8' length**

Suitable for pharmaceutical and clean room applications. Includes two clamps.

**12. Pre-Filter Kits (Nuisance Powders only)**

Pre-filter kits are **not** required for potent compounds and are rarely used unless otherwise specified. Pre-filter kits are primarily used for nuisance powder applications only and typically with large quantities of powder. Pre-filter material is 0.4" thick polyester designed to trap about 80-90% of nuisance powders to preserve HEPA filter life. Pre-filter kits are located before the HEPA filter and behind the rear baffle.

Catalog #	For use with:
3220200	2' XPert Filtered Systems/Stations
3220201	3' XPert Filtered System/Stations
3220202	4' x 29" Deep x 22.7" IH XPert Filtered System/Stations
3220203	5' x 29" Deep XPert Filtered Systems/Stations
3220204	6' x 29" Deep XPert Filtered Systems/Stations
3220205	5' x 35.5" Deep XPert Filtered Systems/Stations
3220206	6' x 35.5" Deep XPert Filtered Systems/Stations
3220207	4' x 32" Tall IH x 29" Deep XPert Filtered Systems/Stations
3220208	4' x 32" Tall IH x 35.5" Deep XPert Filtered Systems/Stations



**13. DOP Test Kit for Dual HEPA Filters 5242401**

Kit is used to test via 100% scan the secondary redundant HEPA filter. See Appendix F.

# Chapter 8: Troubleshooting

Refer to the following table if your filtered enclosure fails to operate properly. If the suggested corrective actions do not solve your problem, contact Labconco for additional assistance.

PROBLEM	CAUSE	CORRECTIVE ACTION
<b>Contaminants outside of enclosure.</b>	Improper user techniques for the enclosure.	See “Certifying the Enclosure” Chapter 3 and “Safety Precautions” Chapter 4 sections in the manual. (Ref. Appendix D).
	Restriction of the baffle air slots or blockage of the exhaust outlet.	Remove obstruction to ensure that all air slots and the exhaust outlet are unobstructed.
	External factors are disrupting the enclosure airflow patterns or acting as a source of contamination.	See “Location Requirements” Chapter 2, “Certifying the Enclosure” Chapter 3, and “Safety Precautions” Chapter 4 sections of this manual. (Ref. Appendix D).
	Enclosure has improper face velocity.	Have enclosure certified and check exhaust system. Check HEPA filters for loading. Adjust enclosure speed control. Enclosure should have an average face velocity of 60-100 fpm for weighing procedures and 75-105 fpm for biohazardous procedures.
<b>Blower won’t operate.</b>	Unit not plugged into outlet.	Plug the enclosure into appropriate electrical service.
	Circuit breaker(s) or Ground Fault Interrupter.	Reset circuit breaker.
	Blower wiring is disconnected.	Inspect blower wiring.
	Blower switch is defective.	Replace switch.
	Motorized impeller or blower is defective.	Replace motorized impeller or blower. See Chapter 6.
<b>Low face velocity or poor containment of contaminants.</b>	Enclosure sash not closed.	Close sash to the lowest position.
	HEPA filter clogged.	Replace HEPA filter or increase speed.
	Carbon filter loaded with chemicals.	Replace carbon filter.
<b>Blower and lights won’t operate.</b>	Unit not plugged into outlet.	Plug enclosure into appropriate electrical service.
	Circuit breaker(s) tripped.	Reset or replace circuit breaker.

PROBLEM	CAUSE	CORRECTIVE ACTION
<p><b>Lights do not work.</b></p>	Lamp not installed properly.	Inspect lamp installation.
	Lamp wiring disconnected.	Inspect lamp wiring.
	Defective lamp.	Replace lamp.
	Light switch is defective.	Replace light switch.
	Defective electronic ballast.	Replace ballast.
<p><b>Airflow monitor malfunction.</b></p>	No power. No lights. No display.	Power cable to circuit board is disconnected and needs to be connected. Sensor cable needs to be connected. Power supply is not plugged into proper voltage; plug in power supply. Verify that all airflow monitor interface cables are connected. Check fuses on enclosure.
	No audible alarm.	Alarm has been temporarily silenced using “SILENCE ALARM” or “enter” buttons.
	Wrong alarm set point.	Airflow monitor was not properly adjusted. Repeat calibration steps outlined in this manual in Chapter 6 or in the supplied Digital 1000 Monitor Manual.
	Constant audible alarm.	Check airflow and calibration of airflow monitor. See Chapter 6.
	Continuous alarm.	Check the face velocity of the enclosure as the airflow of the system may have changed. If incorrect, adjust the speed control to increase face velocity. The HEPA filter may have become loaded. If face velocity is correct, calibrate the airflow monitor outlined in this manual in Chapter 6.
	Monitor alarms; air way to airflow monitor sensor is blocked by insects, dust or debris.	Lightly clean the airway with clean air. Be careful not to touch sensitive electrical components.
	Audible disable will not stay operational.	An alarm condition must be continuously present before the audible alarm can be silenced. If flow conditions fluctuate near the alarm set point, the airflow monitor will automatically reset it. Action should be taken to bring the enclosure airflow into proper operating parameters or adjust the alarm set point lower.

# Service Operating Record Log

Customer Name \_\_\_\_\_ Model Number \_\_\_\_\_

Date Installed \_\_\_\_\_ Serial Number \_\_\_\_\_

Unit Location \_\_\_\_\_

Date	Comments

# Appendix A:

## Replacement Parts

The components that are available for your filtered enclosure are listed. The parts shown are the most commonly requested. If other parts are required, please contact Product Service.

Item	Qty.	Part Number	Description
1A	1	3911000	Glass, Side (Short)
1B	1	3965800	Glass, Side (Tall)
1C	1	3965801	Glass, Side w/ hole (Tall)
2A	1	3911900	Glass, Sash 2'
2B	1	3911901	Glass, Sash 3'
2C	1	3911902	Glass, Sash 4'
2D	1	3967200	Glass, Sash 5'
2E	1	3967201	Glass, Sash 6'
3A	1	3911800	Sash Assembly, 2'
3B	1	3911801	Sash Assembly, 3'
3C	1	3911802	Sash Assembly, 4'
3D	1	3966900	Sash Assembly, 5'
3E	1	3966901	Sash Assembly, 6'
4A	1	3905600	Lower Air Foil, 2'
4B	1	3905601	Lower Air Foil, 3'
4C	1	3905602	Lower Air Foil, 4'
4D	1	3969200	Air Foil, 5'
4E	1	3969201	Air Foil 6'
5A	1	3907400	Bracket, Air Foil R.H. (Short)
5B	1	3907401	Bracket, Air Foil L.H. (Short)
5C	1	3969000	Bracket, Air Foil RT (Tall)
5D	1	3969001	Bracket, Air Foil LT (Tall)
6A	1	3907500	Stop, Sash R.H.
6B	1	3907501	Stop, Sash L.H.
7A	1	6916500	Latch, Sash
7B	1	3906700	Bracket, Latch
7C	1	1927403	Spring, Compression Latch
7D	2	1893206	Screw, 8-32 x .38" Lg. Phillips Pan S.S. Type F
7E	2	3973203	Gas Spring Assembly, 20 Lb., 4'
7F	2	3973200	Gas Spring Assembly, 30 Lb., 5' or 6'
8A	1	3776023	Bag Kit, 2' – for Bag-In/Bag-Out on XPert
8B	1 or 2	3776024	Bag Kit, 3' or 6' – for Bag-In/Bag-Out on XPert
8C	1	3776025	Bag Kit, 4' – for Bag-In/Bag-Out on XPert
8D	2	3776026	Bag Kit, 5' for Bag-In/Bag-Out or XPert
9A	2	1889316	Screw, 10-24 x 1.00 PH Phil S.S.
9B	2	1912108	Washer, Plastic .194 ID. x .380 OD
9C	2	7868402	Bushing, Spacer .31 x .63
10	1.9 Ft	6913700	Wiper, Sash Seal
11A	2	1936800	Bushing, Heyco closed 1.50 Dia.
11B	2	1934601	Bushing, Heyco w/ Flex Shutter 1.50 Dia.
12A	1	3915401	Side Air Foil
12B	2	1889912	Screw, #6-32 x .75" Oval Hd. Type F (S.S.)

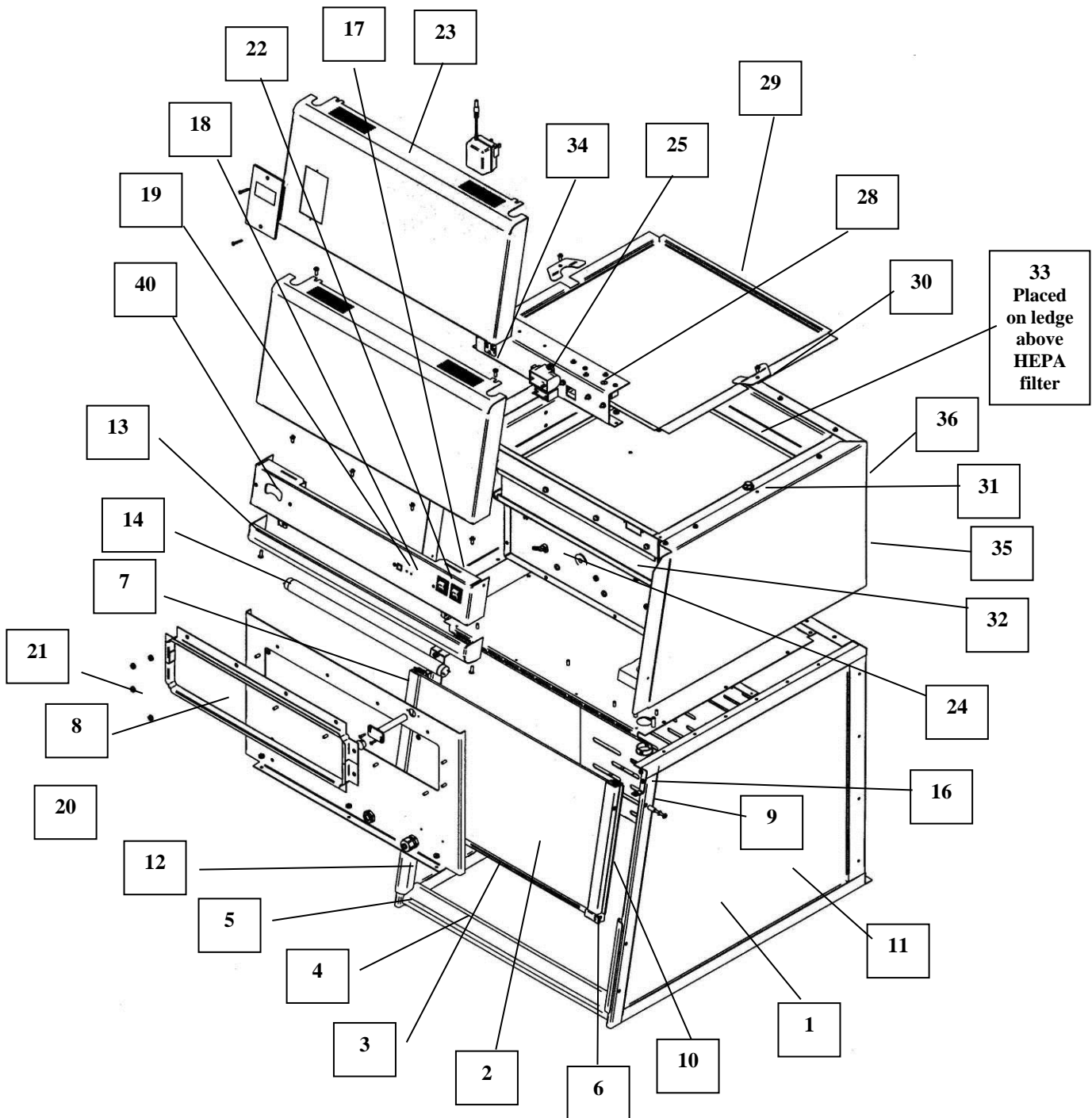
## Appendix A: Replacement Parts

Item	Qty.	Part Number	Description
13A	1	3907700	Reflector, Light 2'
13B	1	3907701	Reflector, Light 3'
13C	1	3907702	Reflector, Light 4'
13D	2	1889308	Screw, Mach. 10-24 x .50 PH Phillips
13E	1	3907703	Reflector, 5'
13F	1	3907704	Reflector, 6'
14A	1	3708300	Lamp, Fluorescent 2' Enclosure (F15T8-SP35)
14B	1	9721902	Lamp, Fluorescent 3' Enclosure (F17T8)
14C	1	9721901	Lamp, Fluorescent 4' Enclosure (F25T8)
14D	1	9721900	Lamp, Fluorescent 5' (F32T8)
14E	1	9721903	Lamp, Fluorescent 6' (F40T8)
14F	1	9721910	LED, 5' Enclosure, 48" nominal wide LED
14G	1	9721911	LED, 4' Enclosure, 36" nominal wide LED
14H	1	9721912	LED, 3' Enclosure, 24" nominal wide LED
16A	1	3911700	Bracket, Right Reflector Support
16B	1	3911701	Bracket, Left Reflector Support
16C	4	1893108	Screw, #8 x 1/2 AB Hex Washer Head
17A	1	3918500	Wiring Harness Main, 115V
17B	1	3918600	Wiring Harness Main, 230V
17C	1	3979001	Wiring Harness, Main 5' and 6'
17D	1	3979002	Power Cable, Analog Monitor only 5' and 6'
18A	1	3811500	Guardian Airflow Monitor Printed Circuit Board
18B	2	1885405	Screw Mach #6-32 x .31 PH Phil. S.S.
19	1	3926800	Label, Front XPert
20A	1	3910700	Airflow Switch
20B	2	1891808	Screw, Thread Cutting #6-32 x .50 PH
21	Multiple	1905617	Nut, KEPS 10-24
22	2	1307000	Switch, Rocker (2 position)
23A	1 or 2	3904800	Front Panel, 2'
23B	1	3904801	Front Panel, 3'
23C	1	3904802	Front Panel, 4'
23D	1	3904803	Front Panel 2' with Digital Monitor Cutout
23E	1	3904804	Front Panel, 3' with Digital Monitor Cutout
23F	1	3904805	Front Panel, 4' with Digital Monitor Cutout
23G	2	1896810	Screw, 10-24 x .62 Hex Head
23H	1	3904806	Front Panel, 5'
23I	1	3904807	Front Panel, 6'
23J	1	3904808	Front Panel, 5' with Digital Monitor Cutout
23K	1	3904809	Front Panel, 6' with Digital Monitor Cutout
24A	1	3916500	Impeller, Motorized 2' or 3' Enclosure, 115V
24B	1	3916501	Impeller, Motorized 2' or 3' Enclosure, 230V
24C	1 or 2	3903300	Impeller, Motorized 4', 5' and 6' 115V
24D	1 or 2	3903301	Impeller, Motorized 4', 5' and 6' 230V
24E	4 or 8	1601800	Vibration Isolator Mount
25A	1	1306900	Capacitor, 2', 115V 10 MFD
25B	1	1306900	Capacitor, 3', 115V 10 MFD
25C	1 or 2	1306600	Capacitor, 4', 5' and 6' 115V 15 MFD
25D	2	1306800	Capacitor, 2', 230V 4 MFD (effective 2MFD)
25E	2	1306800	Capacitor, 3', 230V 4 MFD (effective 2MFD)
25F	1 or 2	1306800	Capacitor, 4', 5' and 6' 230V 4 MFD
26A	1	1295510	Ballast, Fluorescent 2', 115V
26B	1	1295510	Ballast, Fluorescent 2', 230V
26C	1	1294000	Ballast, Fluorescent 3', 4', 5' and 6' 115V or 230V
28A	1	1325500	Speed Control, 115V
28B	1	1325501	Speed Control, 230V
29A	1	3910800	Upper Diffuser Screen 2'
29B	1	3910801	Upper Diffuser Screen 3'
29C	1	3910802	Upper Diffuser Screen 4'

## Appendix A: Replacement Parts

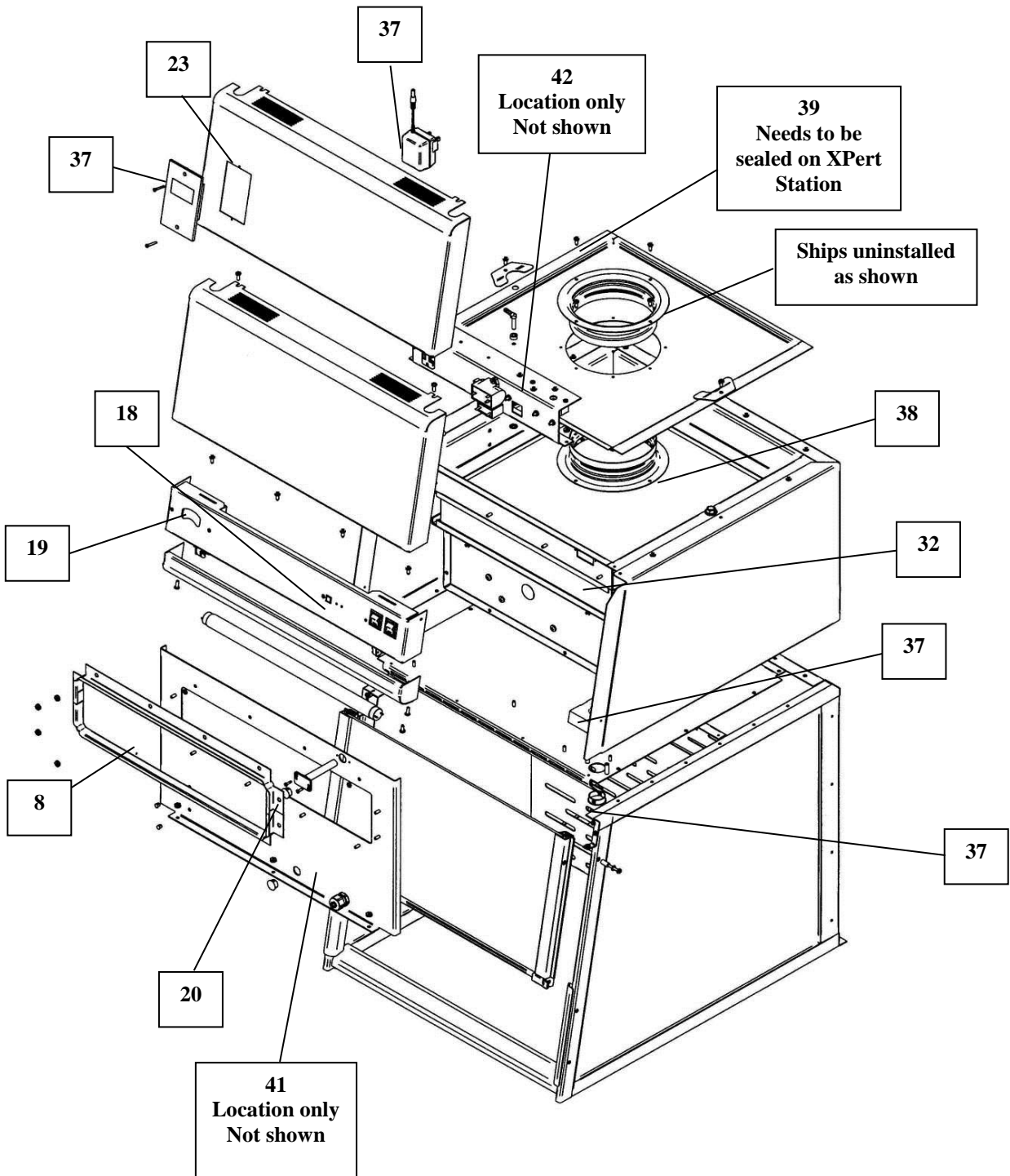
Item	Qty.	Part Number	Description
29D	1	3910803	Upper Diffuser Screen 5'
29E	1	3910804	Upper Diffuser Screen 6'
30A	2	3916700	Clip, Upper Diffuser
30B	2	1893708	Screw, #10 x .50 PH Phil. Thd. Forming
31A	2	1881196	Capscrew, 3/8 -16 x 6.0 Lg. Hx. Hd.
31B	2	1924403	Sealing Washer 3/8
32A	1	3707900	HEPA Filter (2') 18 x 18 x 3.32 w/ Gasket
32B	1 or 2	3707901	HEPA Filter (3' or 6') 30 x 18 x 3.32 w/ Gasket
32C	1	3707902	HEPA Filter (4') 42 x 18 x 3.32 w/ Gasket
32D	2	3707903	HEPA Filter (5') 24 x 18 x 3.32 w/ Gasket
33A	1	3937200	2' Odor Control Organic Vapor Carbon Filter
33B	1	3937201	2' Odor Control Formaldehyde Carbon Filter
33C	1	3937202	2' Odor Control Ammonia Carbon Filter
33D	1 or 2	3937300	3' or 6' Odor Control Organic Vapor Carbon Filter
33E	1 or 2	3937301	3' or 6' Odor Control Formaldehyde Carbon Filter
33F	1 or 2	3937302	3' or 6' Odor Control Ammonia Carbon Filter
33G	1	3937400	4' Odor Control Organic Vapor Carbon Filter
33H	1	3937401	4' Odor Control Formaldehyde Carbon Filter
33I	1	3937402	4' Odor Control Ammonia Carbon Filter
33J	2	3981400	5' Odor Control Organic Vapor Carbon Filter
33K	2	3981401	5' Odor Control Formaldehyde Carbon Filter
33L	2	3981402	5' Odor Control Ammonia Carbon Filter
34	1	7907802	Digital Monitor Outlet, 115V only, 230V connected at laboratory outlet location.
35A	1	1333800	IEC Power Inlet
35B	1	1305800	Power Cord, 115V, Right Angle
35C	1	1334200	Power Cord, 230V, Right Angle
36A	1 - (115V)	1327200	Circuit Breaker, 3 AMP
36B	2 - 230V	1327205	Circuit Breaker, 2 AMP
36C	1	1327204	Circuit Breaker, 5 AMP
37A	1 (115V)	3908500	Digital Airflow Monitor, 115V - 15VDC Adapter, Airflow Sensor
37B	1 (230V)	3908501	Digital Airflow Monitor, 230V - 15 VDC Adapter, Airflow Sensor
37C	1	1595621	Hole Plug, 1.187 Dia.
38A	1	3919800	Exhaust Duct, 6" (XPert Station only)
38B	4	1893708	Screw, #10 x .50 PH Phil. Type AB
39A	1	3919700	XPert Station Top Panel 2'
39B	1	3919701	XPert Station Top Panel 3'
39C	1	3919702	XPert Station Top Panel 4'
39D	1	3979500	XPert Station Top Panel 5'
39E	1	3979501	Xpert Station Top Panel 6'
40A	1	1952500	Gauge, Pressure Mini Helic II
40B	1	3667400	Bracket, Gauge
40C	2	1905617	Nut, #10-24 KEPS
40D	2	1551700	Tubing, 3/16" ID x 5/16" OD, PBC 7.00" Lg.
40E	2, 1" Long	3788200	Snubber, Filter Pressure Gauge
41A	1	1289101	115V Relay (for Remote Blower on XPert Filtered Station)
41B	1	1289102	230V Relay (for Remote Blower on XPert Filtered Station)
42	1	3925600	Harness, Relay (for Remote Blower on XPert Filtered Station)
43	1	5242401	DOP Test Kit for Dual HEPA Filters (not shown, see Appendix F)

Use for XPert System and XPert Station



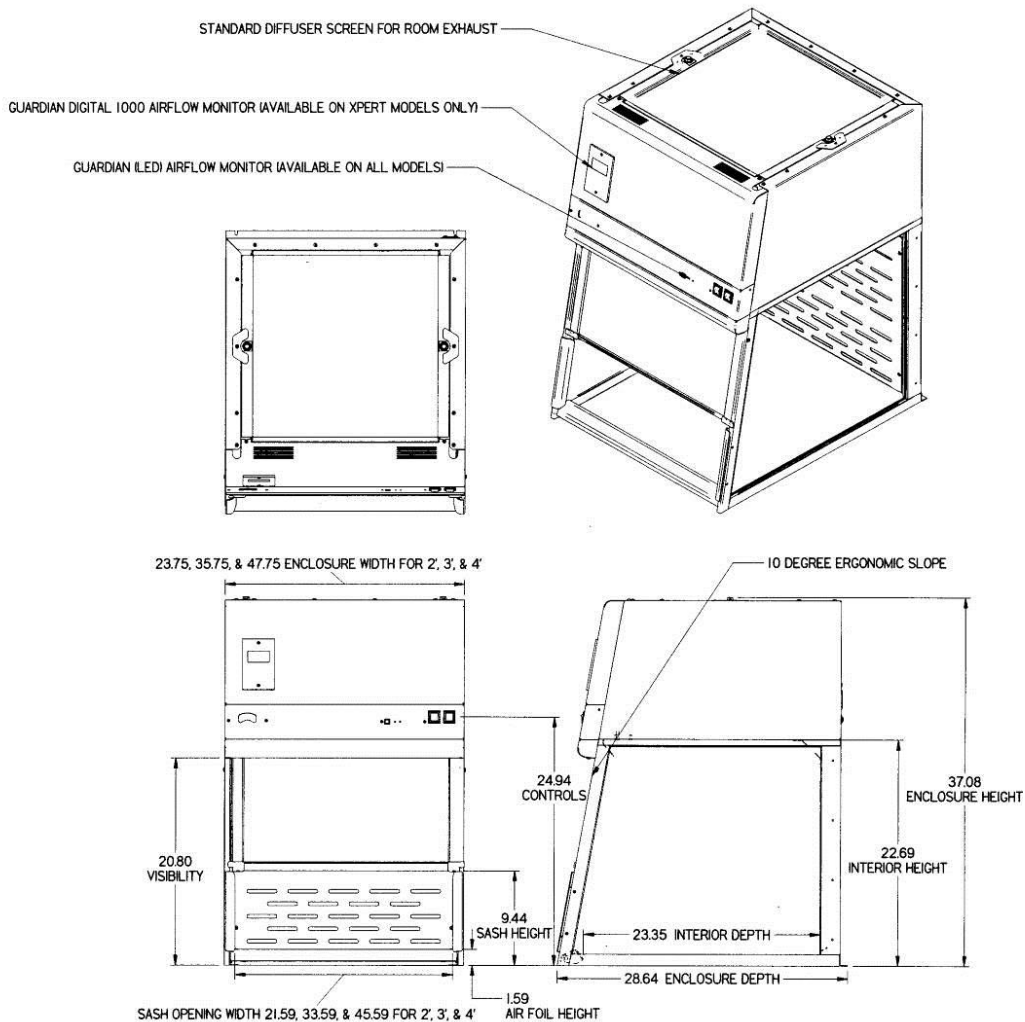


Use for XPert System, XPert Station, Digital Monitor and Bag

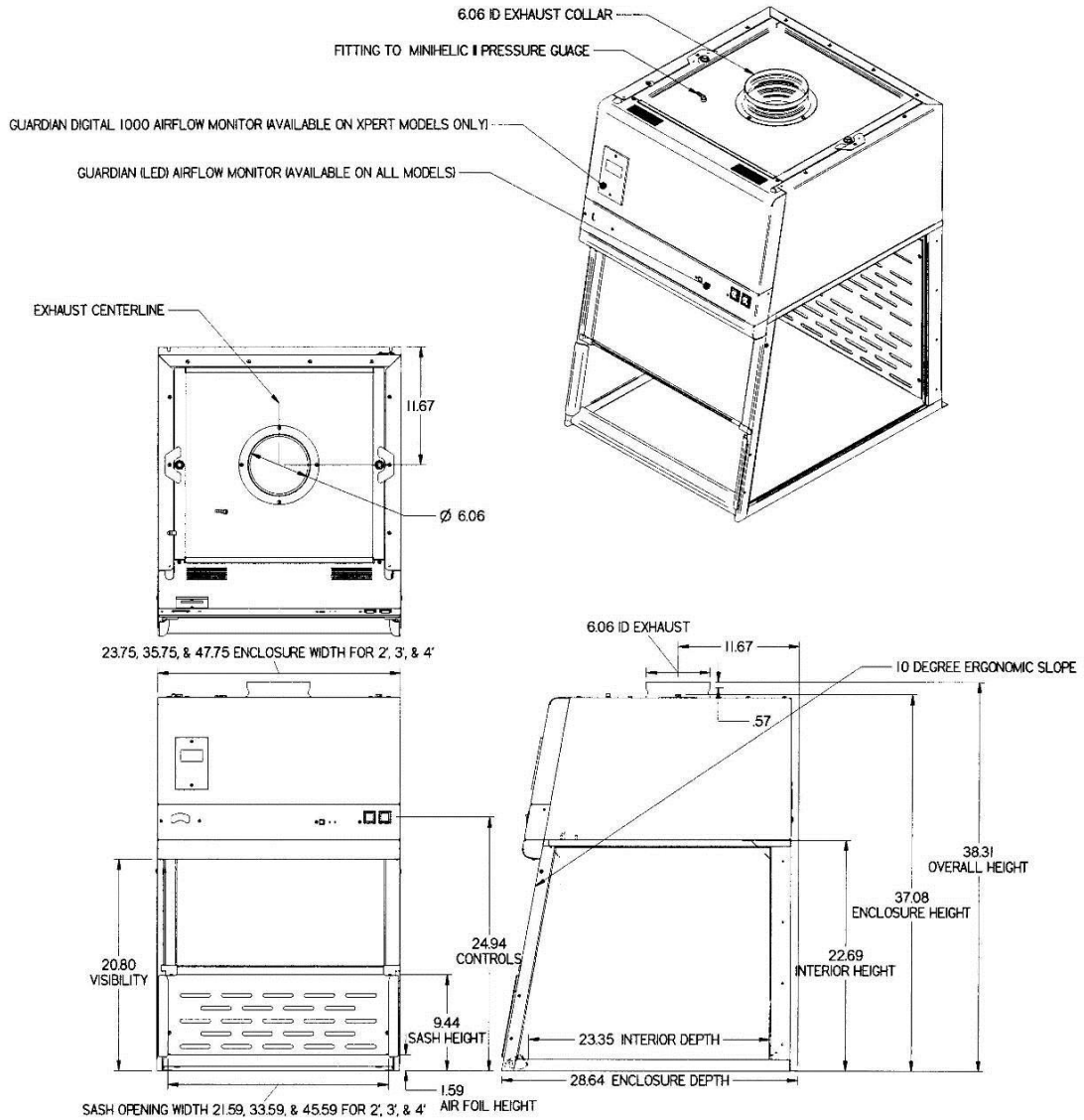


# Appendix B: Dimensions

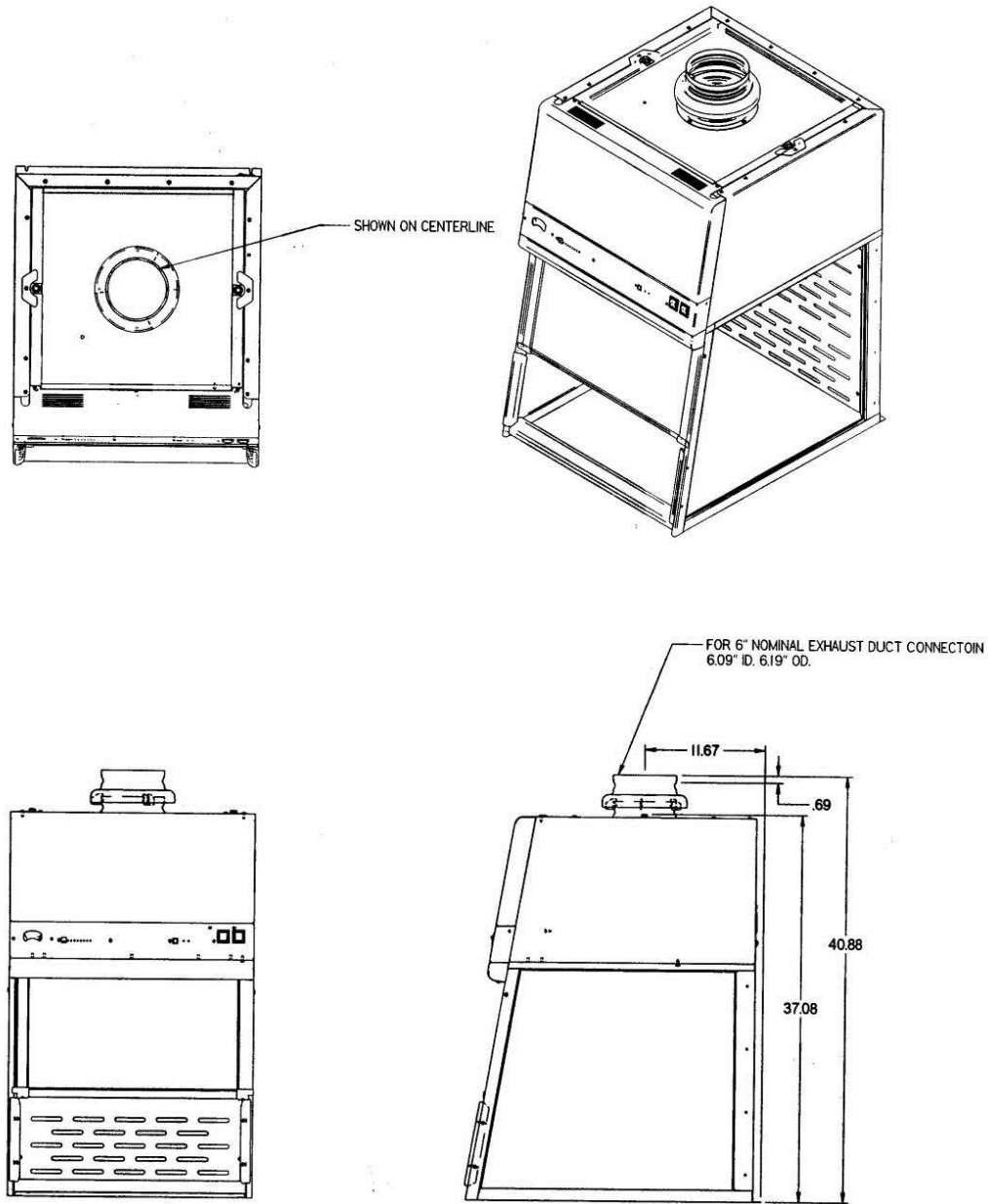
See the following dimensions and exhaust options for all the XPert Filtered Balance Systems, XPert Filtered Balance Stations, and RXPert Filtered Balance Systems.



**Figure B-1**  
**XPert Filtered Balance System, 2', 3' and 4'**

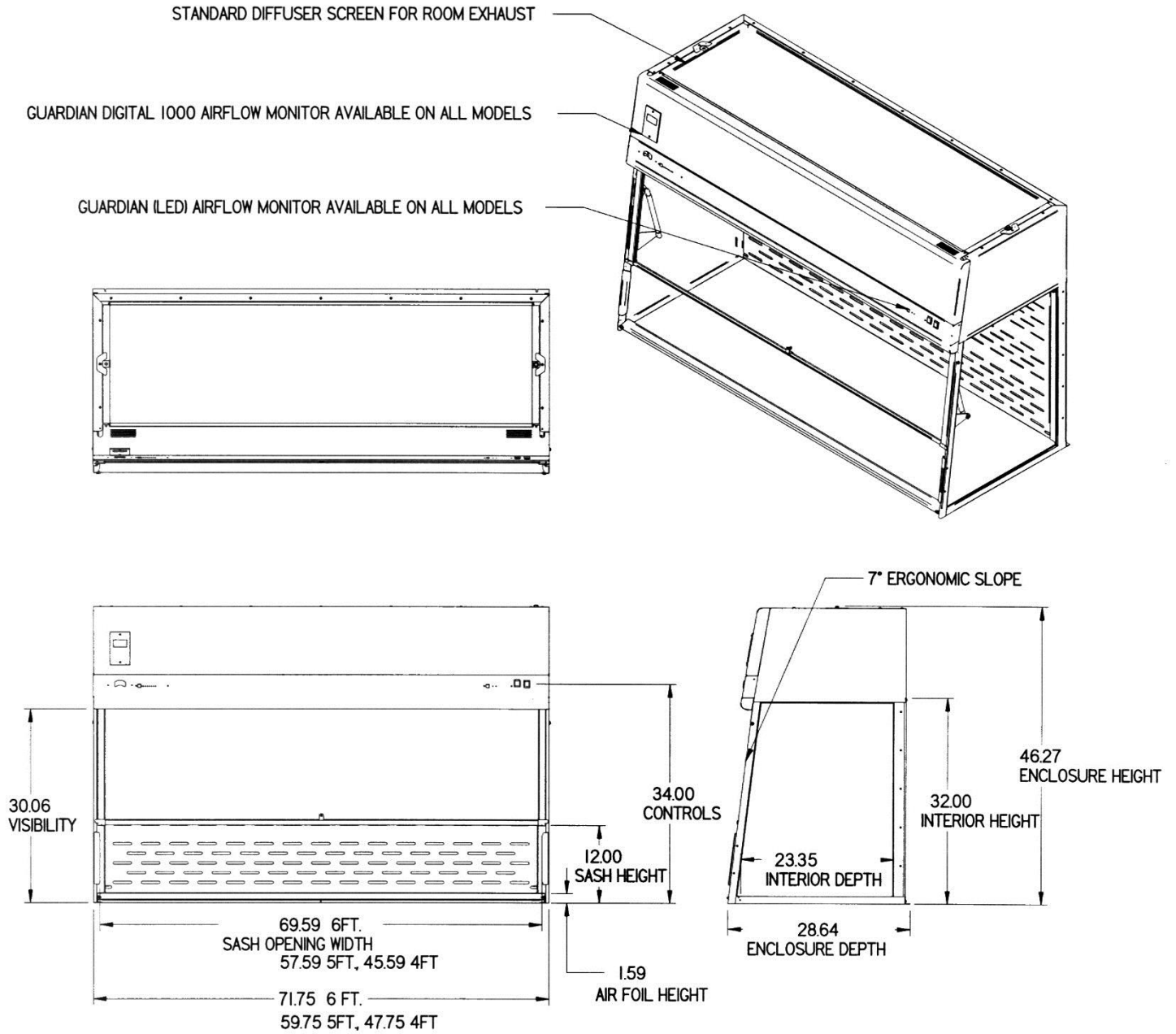


**Figure B-2**  
**XPert Filtered Balance Station, 2' 3' and 4'**

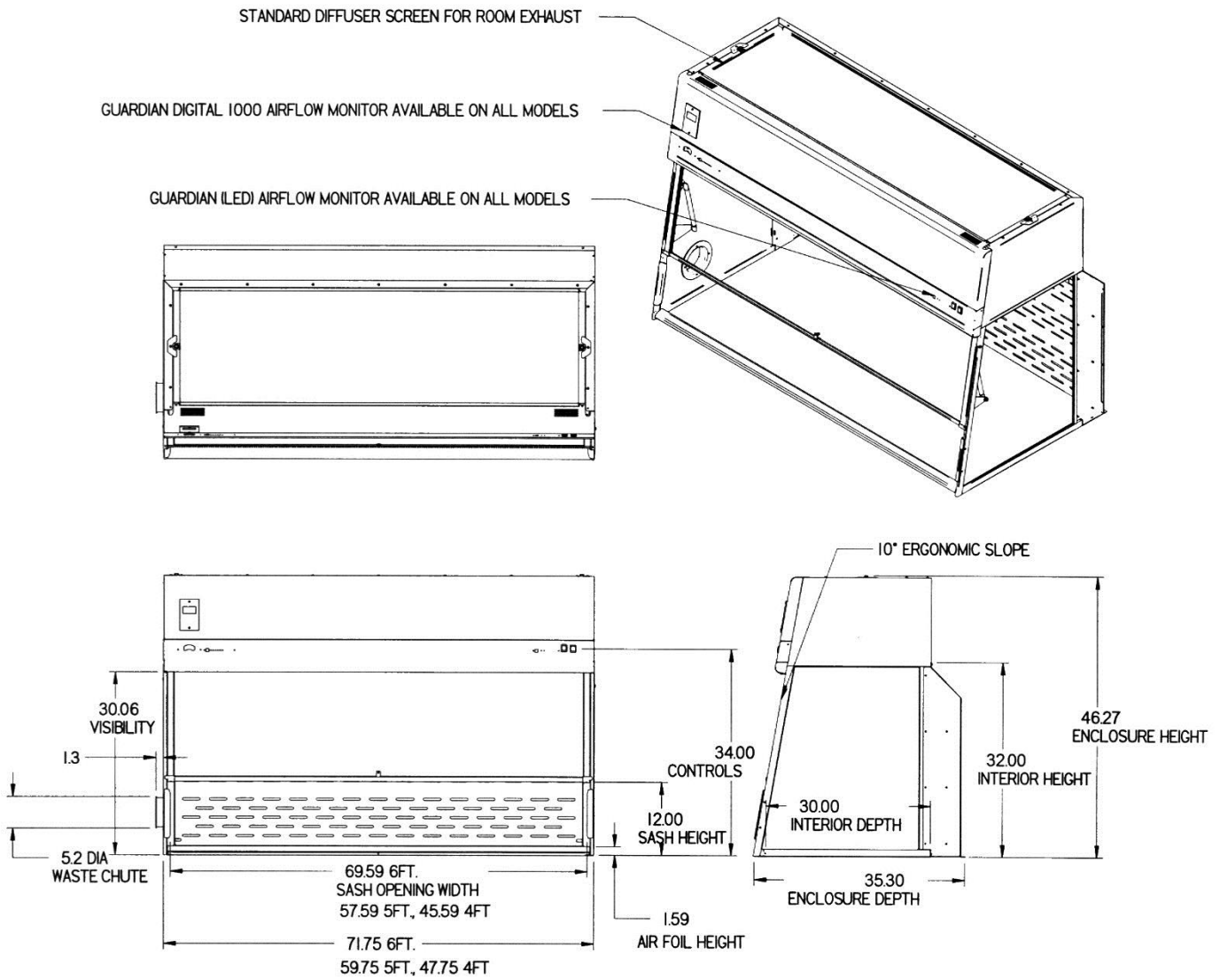


**Figure B-3**  
**Canopy Exhaust Connection**  
**(Optional Installation on Integral Blower Models such as the XPert**  
**Filtered Balance System), 2', 3' and 4' Models Shown. The 5' and 6'**  
**Models have 10.09" ID, 10.19" OD, (Not Shown)**

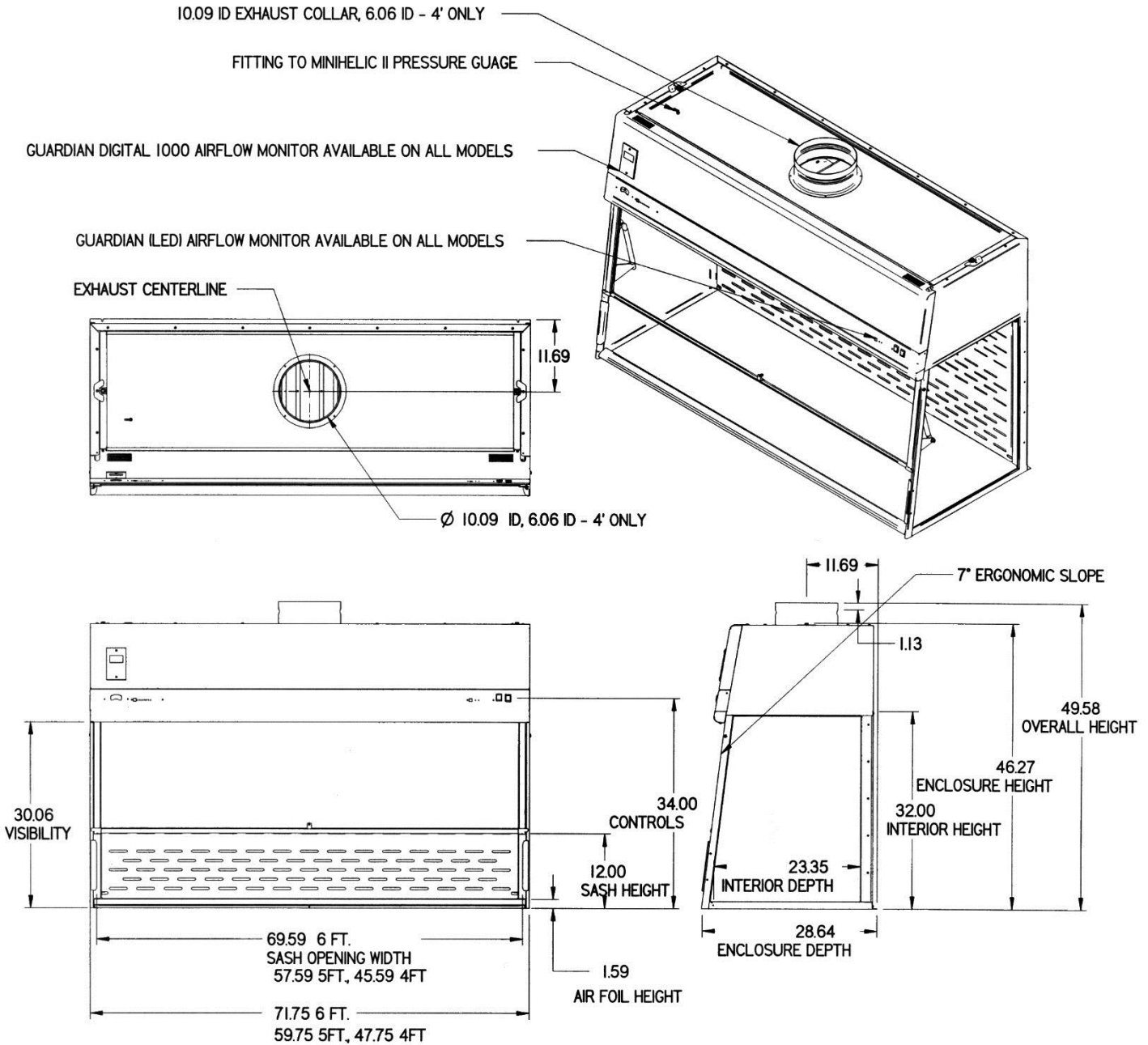
*Note – Some 39712xx, 39713xx, 39714xx, 39715xx, and 39716xx RXPert Systems come with Canopy Connection Factory Installed*



**Figure B-4**  
**4', 5' and 6' x 28.6" Deep XPert Filtered System**

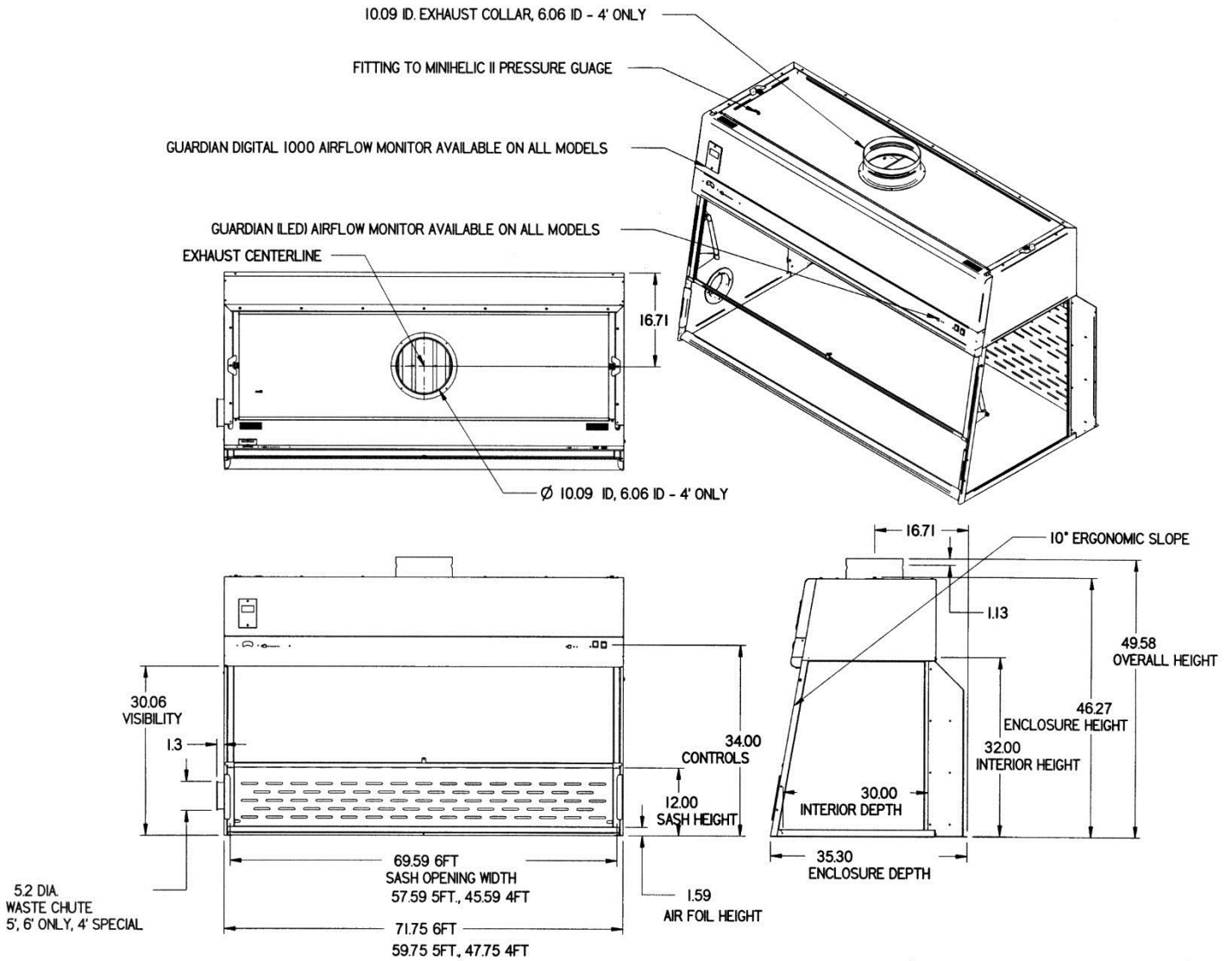


**Figure B-5**  
**4', 5' and 6' x 35.3" Deep XPert Filtered System**



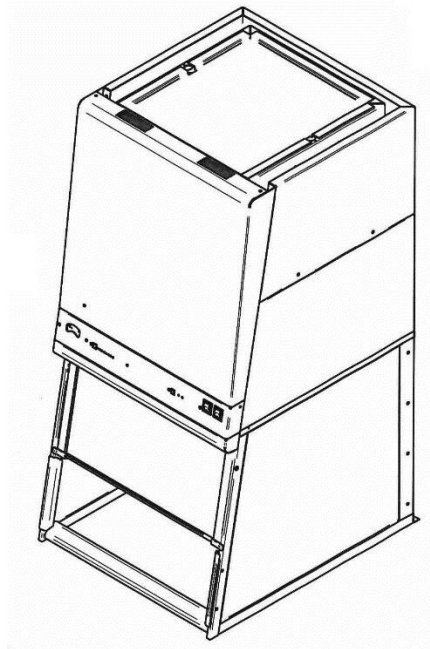
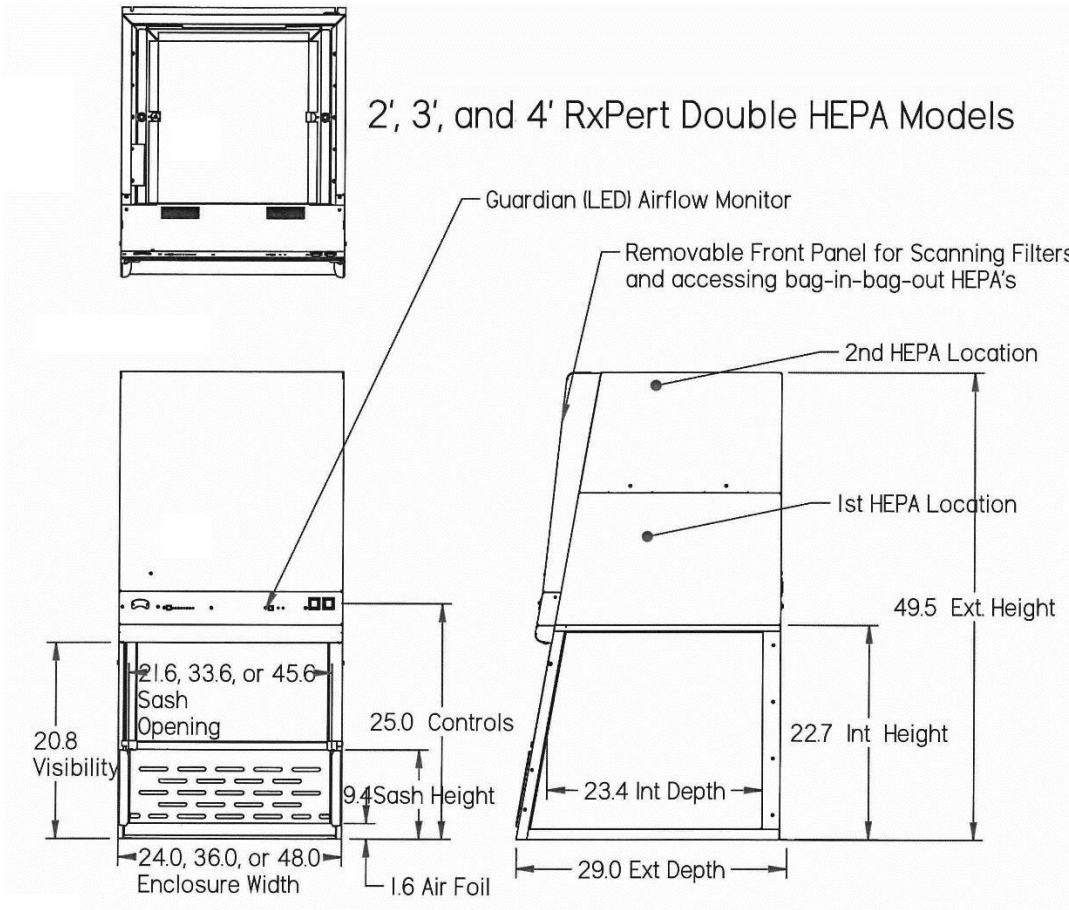
**Figure B-6**  
**4', 5' and 6' x 28.6" Deep XPert Filtered Station**

## Appendix B: Dimensions

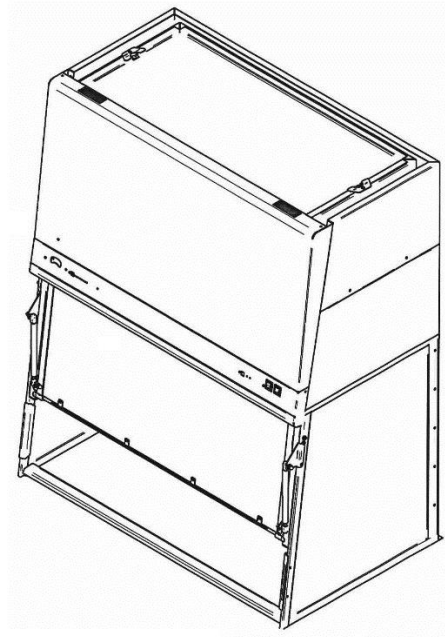
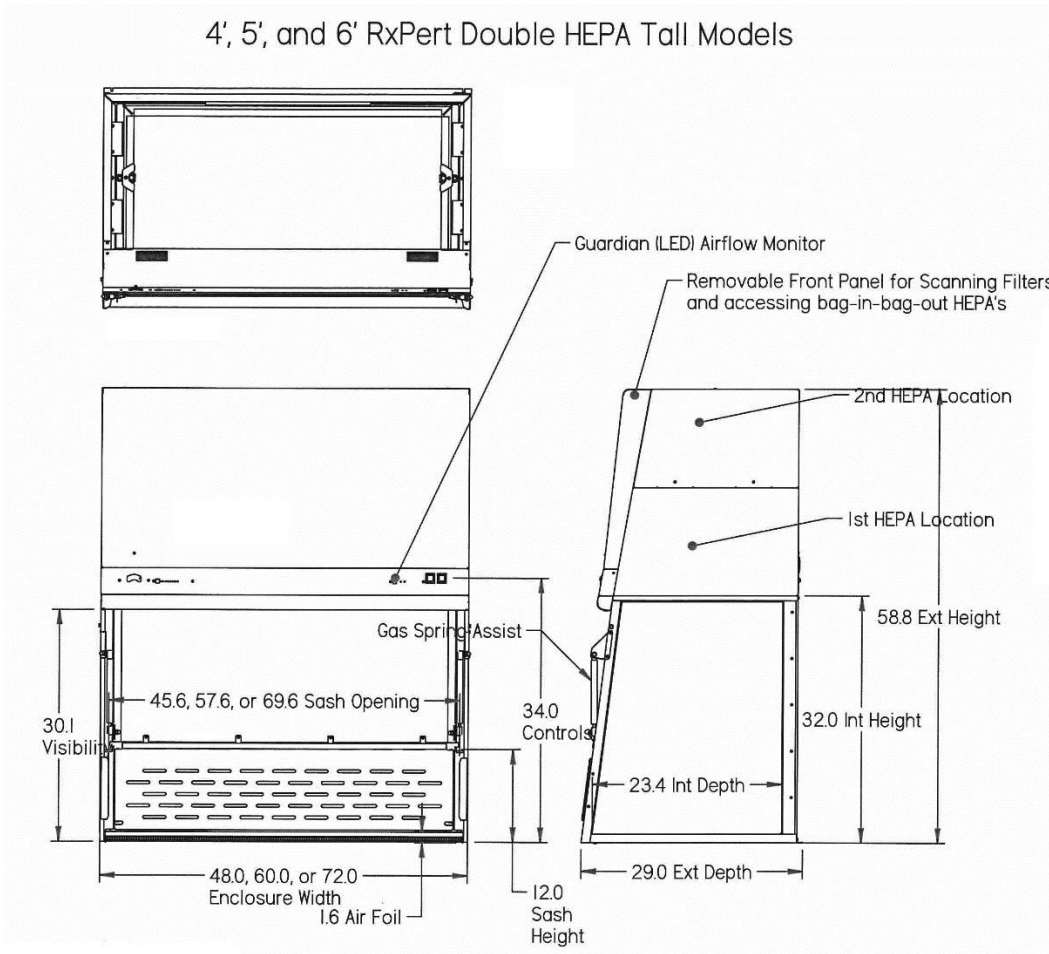


**Figure B-7**  
**4', 5' and 6' x 35.3" Deep XPert Filtered Station**

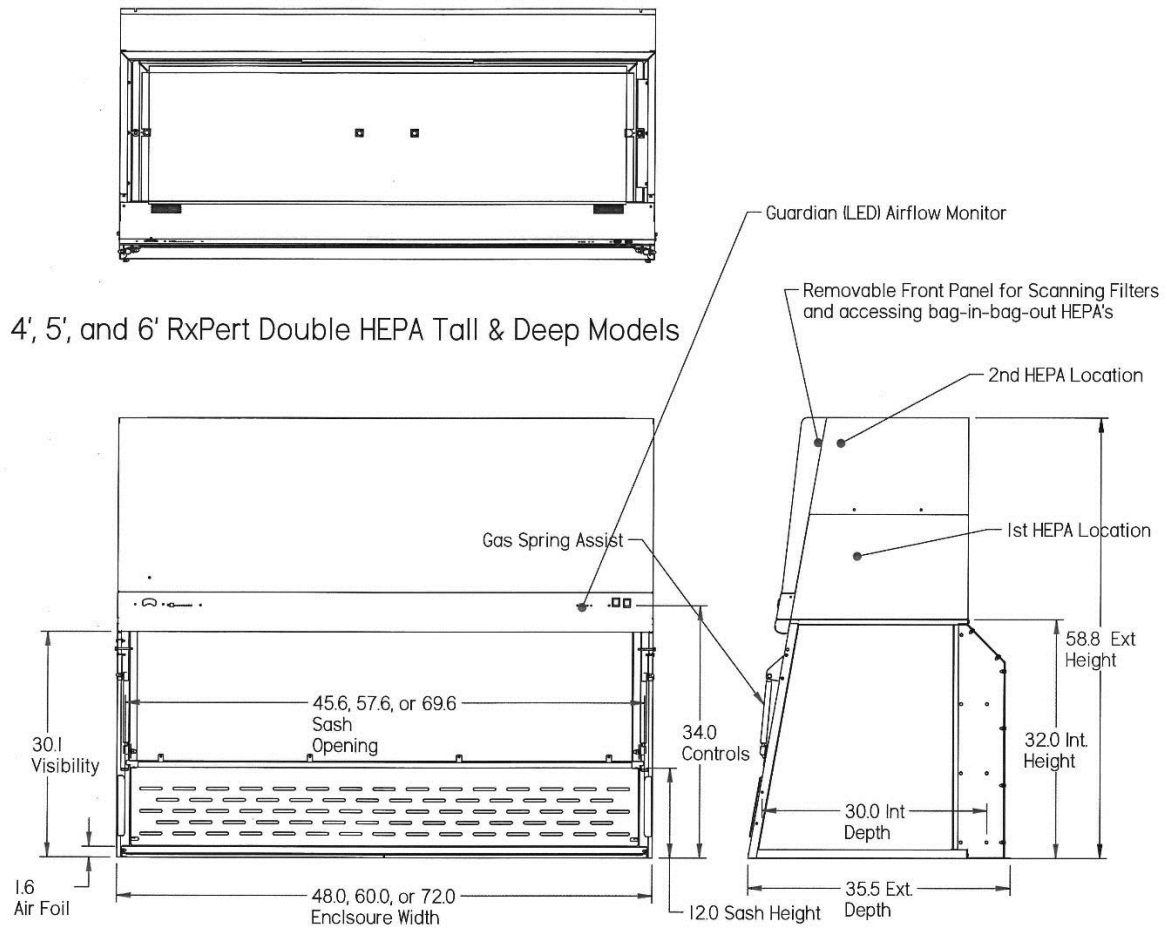




**Figure B-8**  
**2', 3' and 4' x 29.0" Deep RXPert with Double HEPA Filtration**



**Figure B-9**  
**4', 5' and 6' x 32" Interior Height RXPert with Double HEPA Filtration**



**Figure B-10**  
**4', 5' and 6' x 35.5" Exterior Depth RXPert with Double HEPA Filtration**

---

# Appendix C:

## Specifications

This Appendix contains technical information about all the XPert Filtered Enclosures including electrical specifications and environmental operating conditions.

### Electrical Specifications

- 2', 3' and 4' – 3 Amps, 115V or 2 Amps, 230V, 50/60 Hz
- 5' and 6' – 5 Amps, 115V or 3 Amps, 230V, 50/60 Hz

### Environmental Conditions

- Indoor use only.
- Maximum altitude: 6562 feet (2000 meters).
- Ambient temperature range: 41° to 104°F (5° to 40°C).
- Maximum relative humidity: 80% for temperatures up to 88°F (31°C), decreasing linearly to 50% relative humidity at 104°F (40°C).
- Main supply voltage fluctuations not to exceed  $\pm 10\%$  of the nominal voltage.
- Transient over-voltages according to Installation Categories II (Over-voltage Categories per IEC 1010). Temporary voltage spikes on the AC input line that may be as high as 1500V for 115V models and 2500V for 230V models are allowed.
- Used in an environment of Pollution degrees 2 (i.e., where normally only non-conductive atmospheres are present). Occasionally, however, a temporary conductivity caused by condensation must be expected, in accordance with IEC 664.

# Appendix D: Quick Chart

Model Size	2'	3'	4'	4' Tall	5'	6'
Sash Height from Work Surface (inches)	9.44	9.44	9.44	12.00	12.00	12.00
Total Open Area with Bypass (sq. ft.)	1.45	2.20	2.95	3.80	4.80	5.80
Exhaust Airflow Volume at 80fpm (CFM)	115	175	235	305	385	465
Alarm Airflow Volume at 60 fpm (CFM)	85	130	175	230	290	350
Initial Mag. Gauge Pressure Reading (inches H <sub>2</sub> O)	0.20 to .045	0.15 to 0.40	0.10 to 0.35	0.10 to 0.50	0.10 to 0.50	0.10 to 0.50
Number of Laskin Nozzles needed at 10 psig	1	1	1	1	1	1
Exhaust HEPA Filter w/ Gasket Dimensions (inches)	18x18x3.31	30x18x3.31	42x18x3.31	42x18x3.31	(2) 24x18x3.31	(2) 18x30x3.31
*Motor Horsepower (HP)	0.13	0.13	0.30	0.30	0.60	0.60
*Capacitor (MFD, Volts)	10MFD, 115V (2) 4MFD, 230V	10MFD, 115V (2) 4MFD, 230V	15MFD, 115V 4MFD, 230V	15MFD, 115V 4MFD, 230V	15MFD, 115V 4MFD, 230V	15MFD, 115V 4MFD, 230V
Fluorescent Lights	F15T8-SP35	F17T8	F25T8	F25T8	F32T8	F40T8
Power Usage (watts)						
Blower	76	78	124	154	195	238
Lights	22	24	32	32	39	53
Total	98	102	156	186	234	291

\*Excludes XPert Filtered Balance Station, since it has no integral blower.

To determine the actual face velocity at the sash opening, airflow velocity readings will need to be taken. This should be done across the sash opening of the enclosure. The “average face velocity” is achieved by taking readings in two rows across the enclosure with the readings 6" from the ends and evenly spaced every 12"; the first row is 3" down from the upper sash foil and the second row is 3" up from the work surface.

---

# Appendix E:

## Balance Stability

Chemir Analytical Services conducted balance stability tests on the XPert Filtered Balance System mounted on a Solid Epoxy Work Surface. No marble slab was used. The enclosure was tested while operating at three face velocities – 0, 78 fpm (factory setting), and 100 fpm. Samples of 5 mg, 50 mg and 100 mg were weighed on an analytical balance located inside the enclosure. Test results were excellent and confirm that the XPert Filtered Balance System, including its built-in blower and the airflow through the enclosure, caused no detectable instability to the balance. The weight of each sample was stable to five decimal places.

Listed next are some hints on balance stability.

1. Balance is not calibrated (or at least not recently) – All balances should be calibrated at least annually or after they have been shipped or moved around frequently. If the balance has just been moved around the lab, it probably will not require recalibration. Most new balances have an internal mechanism that compensates for drift and vibration. If in doubt, schedule recalibration.
2. Shield is not tight on the balance – If the balance shield is loose, air can get into the weighing chamber and cause fluctuation in sensitive weigh applications. In other words, air can get into the balance and cause the weigh plate to fluctuate. The best way to address the problem is to have the balance servicer fix the balance shield.
3. There is no shield on the balance – Sometimes open balances without shields fluctuate. Try running the ventilated balance enclosure at slower speeds such as 60-70 feet per minute, getting a shield placed around the balance, or using a balance with a tight shield.

---

# Appendix F:

## DOP Test Kit for Dual HEPA Filters

### Operation

The DOP Test Kit (5242401) for Dual HEPA filters includes the connections, hoses, and test procedure necessary to conduct a HEPA filter leak test on the secondary redundant HEPA filters. The HEPA filter leak test is performed to determine the integrity of the HEPA filter(s), the filter housing, and the filter seals. The leak test is to be done by a qualified technician with calibrated equipment. Reference Leak Testing and Photometer scanning from the *Institute of Environmental Services* (IES-RP-CC001.3). **Important:** Refer to the following pictorials to successfully set up the Dual DOP Test Kit and test equipment and run the test procedure.

### Equipment Required

1. **An aerosol photometer ATI model 2D, 2E, 2G or equivalent.** Air Techniques Hamilton Associates Inc. 11403 Cron Ridge Dr. Owings Mills, MD 21117
2. **One aerosol generator of the Laskin nozzle(s) type.** An aerosol of mineral oil or suitable liquid shall be created by flowing air through it. The compressed air supplied to the generator should be adjusted to a pressure of  $10 \pm 1$  psig. during operation. Air Techniques Inc. Model TDA-4A or equal. One nozzle at 10 psig is (67.5 cfm x 100ug/l)/(Vol. of air), For the 2' at 90 fpm or 130 cfm, one nozzle @ 10 psig is 6,750/130 cfm = 52 ug/l. However, to enable proper DOP coverage for the upper 2' Dual HEPA filter, test each third section separate and set photometer at 3 times or 156 ug/l. For the 3' at 90 fpm or 200 cfm, one nozzle @ 10 psig is 34 ug/l. For the 4' at 90 fpm or 265 cfm, one nozzle at 10 psig is 26 ug/l. For the 5' at 90 fpm or 215 cfm, one nozzle at 10 psig is 31 ug/l. For the 6' at 90 fpm or 260 cfm, one nozzle at 10 psig is 26 ug/l. Note 5' and 6' use two filters.
3. **Mineral oil** (Catalog #1491400).
4. **Sampling Nozzle, Rectangular** 1/2" x 3-1/4", Air Techniques, Inc.

## Procedure

### For the ATI 2G Photometer

1. Turn on the photometer and allow it to operate for a minimum of 5 minutes. Leave the valve in the “CLEAR” setting.
2. Press the “ENTER” keypad. Press the “REF” keypad.
3. The display will display “P1” for approximately 1 second, and then display a numerical value.
4. Using the “^” or “v” keypads, respectively, increase or decrease the numerical value until it equals 52 (2'), 34 (3'), 26 (4'), 62 (5'), 52 (6') for the enclosure at 90 fpm inflow velocity.
5. Press the “ENTER” Keypad. The photometer will scan for 15 seconds, and then the “0” keypad will flash. Press the “Enter” keypad. The unit will scan for 5 seconds, the display will read “0000,” and the unit will sound a confirming tone.
6. Set the valve to “DOWNSTREAM.” Place the palm of your hand over the sampling port of the pistol. There should be a strong vacuum at this port. If the vacuum is weak, contact Air Techniques Hamilton Associates.
7. Turn the enclosure on and let it operate for a minimum of 5 minutes.
8. If necessary, adjust the speed control of the enclosure to maintain the following airflows at 90 fpm; 2' (130cfm), 3' (200 cfm, 4' (265 cfm.), 5' (108 cfm), 6' (130 cfm). The 5' and 6' uses two filters.
9. Position the aerosol generator discharge to the three ports below the secondary HEPA Filter. See pictures that follow.
10. Start the aerosol generator (Pressure to be +/- 1 psig). (10 psig). Ensure that one Laskin nozzle is in the “open” position.
11. Allow the generator to operate for a minimum of 15 seconds. For all integral motorized impeller models, scan the downstream exhaust side of the HEPA filter by passing the sampling nozzle of the gun in slightly overlapping strokes over the entire surface the filter, with the sampling port not more than 1 inch from the surface of the filter media. Scan the entire periphery of the filter and the gasket between the filter frame and the enclosure frame. Scanning shall be done at a traverse rate of not more than 2 inches per second.

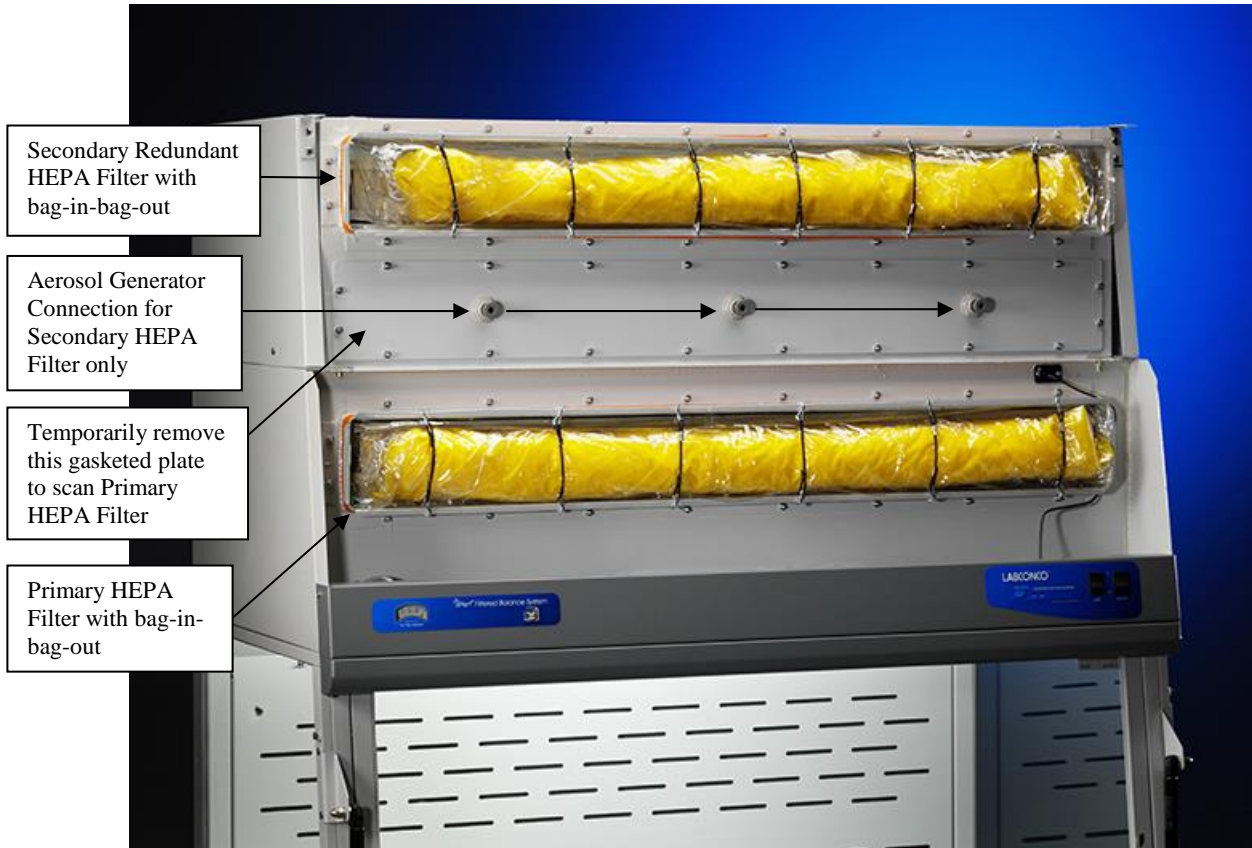
## Acceptance

Aerosol penetration shall not exceed 0.01 percent measured by the photometer.



### Dual HEPA Filtered Features

Note: Typical 4' size shown for convenience.



**2' Note:** For 2' Dual HEPA Filtered RXPert, test each third section of the HEPA filter separate and set photometer at 3 times or 156 ug/l.

### Typical Aerosol Generator Connections

Note: 6' size shown for convenience.

